

**ПЕРВОЕ ВЫСШЕЕ ТЕХНИЧЕСКОЕ УЧЕБНОЕ ЗАВЕДЕНИЕ РОССИИ**



**МИНИСТЕРСТВО НАУКИ И ВЫСШЕГО ОБРАЗОВАНИЯ  
РОССИЙСКОЙ ФЕДЕРАЦИИ**  
федеральное государственное бюджетное образовательное учреждение  
высшего образования  
**САНКТ-ПЕТЕРБУРГСКИЙ ГОРНЫЙ УНИВЕРСИТЕТ**

**УТВЕРЖДАЮ**

A handwritten signature in blue ink, appearing to read 'Максаров'.

Руководитель ОПОП ВО  
профессор В.В. Максаров

**МЕТОДИЧЕСКИЕ РЕКОМЕНДАЦИИ  
ДЛЯ ПРАКТИЧЕСКИХ ЗАНЯТИЙ ПО ДИСЦИПЛИНЕ  
ИНОСТРАННЫЙ ЯЗЫК**

<b>Уровень высшего образования:</b>	Подготовка кадров высшей квалификации
<b>Направление подготовки:</b>	15.06.01 Машиностроение
<b>Направленность (профиль):</b>	Горные машины
<b>Форма обучения:</b>	очная
<b>Нормативный срок обучения:</b>	4 года
<b>Составитель:</b>	к.п.н., доц. И.Г. Герасимова к.п.н., доц. И.С. Облова к.ф.н., доц. Е.А. Кольцова

Санкт-Петербург

# АНГЛИЙСКИЙ ЯЗЫК

## INTRODUCTION



*From postgraduate course to retirement, giving presentations is an important part of scientific life. In the course of that life, scientists generally progress from “entrance” poster presentations, to short oral presentations, to longer invited lectures.*

*A good scientist also must be a good communicator. All the brilliant research of a lifetime is of little use if the investigator cannot effectively explain new findings to his or her colleagues.*

*As a post-graduate student you will have many opportunities to give a presentation on your research work to your peers and faculty.*

*The goal of this educational book is to provide you with information on how to prepare and give an effective presentation in English in the international conferences.*

### ***I. Answer the following questions:***

1. Have you ever participated in any international conferences or congresses?
2. When did you last take part in a conference?
3. Where was the conference held?
4. What problems were considered and discussed?
5. How many participants attended the conference?
6. Whose presentation was of particular interest?
7. What problem did it deal with?
8. Did you present a paper at the conference?
9. What was the time limit?
10. Why is it necessary for a scientist to know foreign languages?

### ***II. Discuss the following questions:***

1. What is the main purpose of any presentation?
2. What types of presentations do you know?
3. Why do scientists give oral presentations? Studies show that we retain much more of what we see than what we hear. If so, why give oral presentations at all? Why not simply prepare handouts, distribute them to an audience, wait while the information is read, and call for questions?
4. What is an effective presentation? And how would you describe a bad one?
5. What makes giving a presentation difficult?

***III. Read text 1 and find answers to the questions that you could not answer or some ideas you did not take into consideration before.***

### **TEXT 1**

Presentations have one and only one purpose, viz. to inform about your research work and ideas and your contribution to the science in your field.

There are different types of presentations, for example by manner of delivery we can distinguish oral and poster presentations. Oral presentations are interactive experiences between

the audience and the speaker. The speaker presents herself or himself, as well as the talk, to the audience. The speaker and the audience exchange signals. A speaker brings the subject to life for the audience through personal involvement and familiarity with it. Good interaction with the audience helps the delivery and aids the retention of the material by the audience.

On the other hand, the audience has an opportunity to “meet” the speaker. For some members of the audience, there can be excitement in personally hearing a recognized authority in a given field.

Good presentation can improve a scientist’s standing within professional community, establish possible future collaborations or even get funding for his/her research if a presentation is given to potential funders.

Most people fail to give a good presentation because they really don’t know how effective presentations are measured. According to some of the world’s best presenters, effective presentations can be measured using the following four factors:

25% Message

25% Words & Images

40% Rapport

10% Retention

**Message** – this is the purpose of the presentation. It may be to release your latest research, or to get funding. But you can’t just expect your message alone will sell. Some of the best ‘ideas’ in the world have not worked because the presenter thought that relying on the great idea was enough. “The idea is so good it will sell itself”.... does not work! Having a strong, simple message makes for a strong effective presentation.

**Words and Images** – how you deliver your message is as important as the message itself in making an effective presentation. This is about what you say and how you use visuals. Most scientific presentations fail right here. They don’t realize that most people, including the world experts, don’t want to be blasted with five syllable jargon, acronyms and complex charts and graphs. This is probably the one area in which we all need to concentrate to really make an effective presentation.

**Rapport** – the most important factor in measuring presentations is how the audience interacts with the presentation. If they just sit back and snore, then obviously the presentation was ineffective. Remember the last person you considered to give a great presentation. I bet that they have people smiling, clapping, laughing, nodding etc. They created an audience interaction that did not interfere with their message or words, but added strength to their presentation.

**Retention** – how much of the presentation do you, as a member of the audience, remember? If you leave a presentation having no idea what it was about, then the presentation was ineffective. If you leave with a good idea, some action or even some knowledge that you may never use, then you have retained some of the speaker’s message. This is a good sign that the speaker gave an effective presentation. During your next conference, try and mark presenters using these factors and see if your score reflects what you know to have been effective presentations.

## TEXT 2

### Planning your Presentation

*When planning your presentation, there are several things that should be considered:*

*Where will your presentation occur?*

*What are the advantages and disadvantages of the venue?*

*What does your audience already know about your topic?*

*What is the time available for the presentation?*

*What visual aids are available?*

***I. Read the following tips for planning your presentation and answer the questions:***

1. Can you use the manuscript of an article for your scientific presentation?
2. How should you choose the title for your presentation?
3. What has to be submitted to the organizers of the scientific meeting before the conference?
4. What is important to remember when preparing the text of your presentation?
5. What are the objectives for using visual aids?

Be clear about your purpose. Remember you are writing for the ear, not the eye. Writing a presentation is nothing like writing a scientific paper! People do not speak the way they write. It requires a set of different words, expressions and grammar. It is not something you read out loud. It is something you speak about from the heart.

The manuscript of an article (as submitted for publication) should not be used as such for a scientific presentation. The difference between speaking and writing is the same as the difference between hearing and reading. A reader chooses his own pace; the listener must accept the pace chosen by the speaker. Listening to the news on television is different from reading the news in a newspaper.

To change a written scientific paper into an oral presentation, the presenter must follow three “S words”: Select, Synthesize, and Simplify. Select from the written article the points to present. Synthesize the information in the article to package it in the limited time available. Simplify the presentation of the data, so that it can be easily followed and understood by the audience.

In the planning stage, the title of the presentation has to be decided and an abstract has to be submitted to the organizers of the scientific meeting. A good title can be defined as the fewest possible words that adequately describe the contents of the presentation. The abstract can attract or put off the audience. The abstract is the part of the presentation that will be published in the conference programme. A good abstract should be a miniature version of the presentation. The abstract should be sent to organizers before the deadline and in the format and length requested.

In preparing the text of a scientific presentation:

- Avoid too much detail and resist the temptation to overload the presentation with information.
- Avoid jargon and abbreviations, unless they are clear to all the audience.
- Aim at the average person in the audience.
- Use plain English. Use simple language and active verbs that are clear and concise. Simplify your phrases. Tighten your sentences. Never use a long word when a short one will do. Avoid tongue twisters or words that are hard to say. Do not use terms you do not understand. Repetition is important.
- Use analogies, illustrations, and metaphors; try to paint pictures with words. Use “memory tools” if at possible – for example, acronyms, visual aids, and mnemonics. Present a review at the beginning of the session, and a summary at the end.
- A good talk has an introduction, a body, and a conclusion. Make every word count.

It has been said that we remember 20% of what we hear, 30% of what we see, but between 50% and 75% of what we see and hear. A Chinese proverb says “A picture is worth a thousand words”. Visual aids are not an objective in themselves. They are used to serve one or more of the following objectives:

- holding the attention of the audience
- presenting the data in a clear way
- delivering the presentation without having to read from notes.

Commonly used visual aids include slides, overhead transparencies and computer-assisted presentations.

### **TEXT 3**

#### **Structure of a Presentation**

## I. Read text 3 and answer the following questions:

1. What are the main parts of the presentation?
2. What is the body of the presentation? What information is presented there?
3. What do you need to consider as you develop the outline and write the body of your presentation?

The hallmark of any successful scientific talk is clarity. To achieve clarity, the talk must be well organized and logically structured. Most presentations are divided into 3 main parts (+ questions):

<b>1</b>	<b>INTRODUCTION</b>
<b>2</b>	<b>BODY</b>
<b>3</b>	<b>CONCLUSION</b>
	<b>Q&amp;A</b>

In presentations, there is a golden rule about repetition:

***Say what you are going to say, say it, then say what you have just said.***

In other words, use the three parts of your presentation to reinforce your message. In the introduction, you tell your audience what your message is going to be. In the body, you tell your audience your real message. In the conclusion, you summarize what your message was.

The introduction is a very important - perhaps the most important - part of your presentation. This is the first impression that your audience have of you. You should concentrate on getting your introduction right. You should use the introduction to:

1. welcome your audience
2. introduce your subject
3. outline the structure of your presentation
4. give instructions about questions

The body is the 'real' presentation. If the introduction was well prepared and delivered, you will now be 'in control'. You will be relaxed and confident. The body should be well structured, divided up logically, with plenty of carefully spaced visuals. The depth and scope of the scientific content are determined in large part by the audience profile and, most importantly, by the time allotted you.

Once you've prepared the body of the presentation, decide how you will begin and end the talk. Make sure the introduction captures the attention of your audience and the conclusion summarizes and reiterates your important points. Use the conclusion to:

1. Sum up
2. Thank your audience
3. Invite questions

During the conclusion of your presentation, reinforce the main ideas you were hoping to communicate. Remember that listeners won't remember your entire presentation, only the main ideas. By reinforcing and reviewing the main ideas, you help the audience remember them.

## TEXT 4

### Assessing Your Audience

An extremely important part of effectively communicating what you know is tailoring your presentation to your audience's needs and level of understanding. The first step in preparing an oral presentation, then, is to learn as much as possible about your audience.

Ask yourself the following questions:

1. How large will the group be?
2. Who are the members of your audience?
3. How should you plan the presentation for a specialist audience, a generalist audience or a mixed audience?
4. What does the audience want or need to know?

5. Why is your audience attending your presentation?

Pre-assessment is crucial to a successful presentation. Knowledge of your audience is an important prerequisite in making decisions about the content, format, language and style of your presentation, and vital in connecting with your audience.

Most audiences should be addressed in layers: some are experts in your sub-area, some are experts in the general area, and others know little or nothing. Who is most important to you? Can you still leave others with something? For example, pitch the body to experts, but make the forecast and summary accessible to all.

You need to build a warm and friendly relationship with your audience. Enthusiasm is contagious. If you are enthusiastic your audience will be enthusiastic too. And be careful to establish eye contact with each member of your audience. Each person should feel that you are speaking directly to him or her. This means that you must look at each person in turn - in as natural a way as possible. This will also give you the opportunity to detect signs of boredom, disinterest or even disagreement, allowing you to modify your presentation as appropriate.

Audience attention span is short, so break up long sections of information with questions, feedback, activities, and repeat important points.

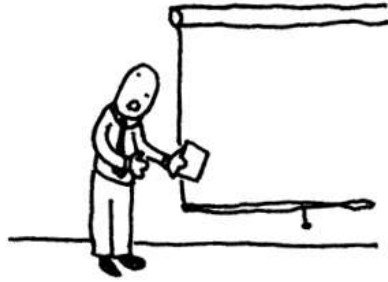
You'll probably never again meet the vast majority of the audience, so this talk is the one and only chance you have to make an impression. Don't mess it up! In the worst case, they will remember you as the one who gave that particularly bad talk. In the mediocre case, you'll not leave a trace in their brains, and in the best case, they will remember you and your subject and what kind of work you've done.

***I. How to keep your audience interested? Study the following recommendations and put them in the corresponding columns:***

<b><i>Dos</i></b>	<b><i>Don'ts</i></b>
-------------------	----------------------

**In order to keep your audience interested you should ...**

- hide behind the podium
- begin with a joke or humorous story
- project a cartoon or colorful visual
- maintain eye-contact with the audience
- keep your face motionless
- be enthusiastic
- modulate your voice
- look friendly
- stare at your advisor/at the screen/at the ceiling
- show your back to the audience
- ask questions to stimulate thinking
- use hand gestures
- stand like a statue
- keep your hands in your pockets
- read your slides like a script
- use a pointer (laser or otherwise)
- create clearly labeled, simple graphics.
- write whole sentences in your graphics and slides
- wave a laser pointer around the screen or point it into the eyes of your audience
- keep to your structure
- tell jokes about other countries, nations, races
- use jargon and slang



and now, let's dim the lights, so i can show you computer slides and read the exact text of the slides to you

## TEXT 5

### Presentation Delivery

#### *I. Discuss the following questions:*

1. Have you listened to charismatic speakers who gain and maintain the attention of the audience? Can you explain a recipe for success of the experienced presenters?
2. Have you also encountered speakers who quickly put an audience to sleep? What were the reasons for that?

#### *II. Read text 5 and answer the following questions:*

1. Why is it important to practice delivering the presentation?
2. What delivery methods do you know? What are their advantages and disadvantages?
3. What do you think the best delivery method is? What do you usually use?

Delivery is the speaker's interaction with the audience. Good interaction with the audience helps the delivery and aids the retention of the material by the audience. You present yourself as well as the subject matter every time you stand in front of an audience. This is not to say that a polished delivery is more important than content, but how well you present your material directly impacts how well it is received.

Most people spend hours preparing a presentation but very little time practicing it. When you practice your presentation you can reduce the number of times you utter words and phrases like, "um," "well," and "you know." These habits can easily diminish a speaker's credibility. You can also fine-tune your content to be sure you make your most important points in the time allotted.

But in addition to planning the content of your presentation, you need to give advanced thought to how you want to deliver it. There are various delivery methods, for instance:

- speaking from memory
- use cards to guide you
- read from a script
- use a combination of methods

**Speaking from Memory.** A distinct advantage of speaking from memory is your ability to speak to the audience without relying on notes or a script. This allows you the flexibility to move away from the podium and to maintain eye contact with the audience. However, speaking from

memory has disadvantages, too. Presentations from memory often sound rehearsed and the possibility exists that you'll forget an important point, present information that's inaccurate, or completely lose your train of thought.

**Speaking from Notes.** Many people like to speak from notes. Typically these notes are either on cards or paper in outline form and contain key ideas and information. The benefit of delivering a presentation from notes is that you sound natural rather than rehearsed and you can still maintain relatively good eye contact with the audience. The down side is that you might not express your key ideas and thoughts as well as you may have liked had you planned your exact words in advance.

**Speaking from Text.** Speaking from text involves writing your speech out, word for word, then basically reading from the text. As with speaking from memory, an advantage of this method is that you plan, in advance, exactly what you're going to say and how you're going to say it. A disadvantage is that you might appear to the audience to be stiff, or rehearsed. You will need to make lots of eye contact and speak with expression to maintain the audience's level of interest.

**Using a Combination of Methods.** You may find the best method to be a combination of all three. For instance, experts suggest you memorize the first and last ten minutes of your talk so that you can speak flawlessly and without notes. Notes may be suitable for segments of your presentation that you know very well, for example, relating a personal story. Finally, speaking from a text might be appropriate when you have quotes or other important points that you want to make sure you communicate accurately and completely. You can make a smooth segue to written text by saying something like: "I want to read this quote to you verbatim, to ensure that I don't distort the original intent."

*Studies of interpersonal communication show that:*

- 55% comes from facial expressions and body language
- 38% comes from vocal quality or tone of voice
- 7% comes from content, the actual meaning of the words.

*Scientifically trained audiences will probably absorb somewhat more than the general population from content and a little less from the other two factors. But to be most effective, the scientific speaker needs to develop a delivery style that incorporates good body language, pleasant facial expressions, and a confident, yet relaxed, tone of voice*

***1. Read the following texts 6-8 and choose the most useful recommendations concerning the above mentioned factors. Discuss them in pairs.***

#### **TEXT 6**

#### **Voice**

Using your voice effectively can have a great impact on your delivery. The best speaking voice is conversational, natural, and enthusiastic. Speak loudly enough to be heard by everyone in the room, but vary the volume of your voice to maintain interest and emphasize key points.

Avoid using vocal fillers such as: like, um, er, etc. Silence is better and can actually help the pace of your presentation, use it to your advantage by taking purposeful pauses to emphasize points or transitions.

Changing the tone of your voice has similar effects. The important point is not to speak in the same, flat, monotonous voice throughout your presentation - this is the voice that hypnotists use to put their patients' into trance!

Speak loudly, clearly, and not too quickly. You will automatically sound more confident and more prepared. There's no point in giving a presentation if the audience can't even understand or hear what you are saying. If you have a low-volume voice then organize a microphone.



Non-native speakers should practise their English. Chances are high that native speakers can understand you, but other non-native speakers, especially from different language families, can have considerable problems.

#### **TEXT 7**

##### **Language**

Use language that's appropriate for the audience. Don't try to impress them by using words they don't understand. If your subject is new to audience members, be certain to explain jargon they might not understand.

Also, be certain to use your best grammar. If you want your audience to understand your message, your language must be simple and clear. Use short words and short sentences. Use active verbs instead of passive verbs. Active verbs are much easier to understand. They are much more powerful. Consider these two sentences, which say the same thing:

1. Toyota sold two million cars last year.
2. Two million cars were sold by Toyota last year.

Which is easier to understand? Which is more immediate? Which is more powerful?

#### **TEXT 8**

##### **Gestures and Body Language**

What you do not say is at least as important as what you do say. Your body is speaking to your audience even before you open your mouth. Your clothes, your walk, your glasses, your haircut, your expression - it is from these that your audience forms its first impression as you enter the room. Generally speaking, it is better to stand rather than sit when making a presentation.

Be aware of and avoid any repetitive and irritating gestures. Minimize gestures like pacing back and forth, rocking back and forth, playing with coins in your pocket, wringing your hands, and other types of fidgeting. These gestures not only signal that you are nervous, but they are distracting to the listener, too.

Use positive facial expressions such as smiles, expressive eyes, and looks of empathy and encouragement to communicate feelings and emotions.

Use quick and energetic movements of your hands and arms to add expression to your talk. Maintain the attention of the audience by making your movements unpredictable.

##### ***I. Try to write some presentation style tips. Make use of the following words and word combinations:***

dress in a professional manner, expensive clothes, look well groomed, hair-do, be influenced by the appearance of the speaker, dangling jewelry, distract from, wear glasses, make-up, wear a suit and a tie, closed shoes

#### **TEXT 9**

##### **Don't Run Overtime**

##### ***I. Answer the following questions:***

1. How can a presenter make sure that he/she doesn't exceed the time?
2. What is the generally accepted rate for easy hearing and understanding (a number of words a minute)?
3. How many slides can a presenter show during a presentation?

The short time allocated (typically 8-9 minutes with an additional 1 minute for questions) makes this the most difficult talk to prepare for a scientific presentation. Granted, it is difficult to edit what might represent a life's work into 20 to 30 minutes, or a year's research in to 9 minutes: but remember that other speakers face the same dilemma and most somehow manage it.

It is rude and egotistical to exceed your allotted time. Running overtime also suggests a lack of preparation and experience. A good chairperson can justifiably be quite abrupt with a speaker who exceeds the allotted time. The speaker who exceeds his allotted time imposes not only on his audience, but also on all the speakers who come after him.

Never try to squeeze your 30-minute talk into a 20-minute speaking slot. Speaking as fast as you can and flashing through your visual material at the speed of light is not the way to condense your talk into the specified time. Your audience will be annoyed and will absorb little of your presentation.

A pleasant average rate of delivery is not more than 120 words a minute. A word processor can give the exact word count of a written presentation. A double spaced typewritten page is about 240 words. For a ten minute presentation, plan on no more than five pages of double-spaced text.

A general rule is one slide per minute if the slide contains information, and one slide every 5-10 seconds if the slide contains only titles, key words, or is designed just to remove another visual from the screen. Having to skip slides during the presentation, because the slides are too many, means that preparation of the presentation was poor.

When you are one minute from your time limit, you can say the following and go straight to the conclusions: "If you continue with the details or data as I have been describing them, you finally arrive at this clear set of conclusions."

Rehearsal is the key to making sure that you will deliver the presentation without exceeding the time. Even very experienced speakers rehearse their presentations. You can rehearse on your own, or with the help of colleagues.

Rehearsals are also utterly essential to timing your talk properly. Your goal is to achieve the comfortable, confident, conversational style considered good form in scientific circles without running overtime.



## **TEXT 10**

### Visual Aids



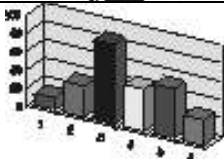
Of all the information that enters our brains, the vast majority of it enters through the eyes. 80% of what your audience learn during your presentation is learned visually and only 20% is learned aurally. The significance of this is obvious:

- visual aids are an extremely effective means of communication
- non-native English speakers need not worry so much about spoken English - they can rely more heavily on visual aids.

It is well worth spending time in the creation of good visual aids. But it is equally important not to overload your audience's brains. Keep the information on each visual aid to a minimum - and give your audience time to look at and absorb this information.

Apart from photographs and drawings, some of the most useful visual aids are charts and graphs. **Piecharts** are circular in shape (like a pie). **Barcharts** can be vertical or horizontal. **Graphs** can rise and fall.

**I. Match the visual aids with their names:**

1.		
2.		
3.		

When you design slides remember that all information presented visually should be brief and concise. It must be should be presented in the most comprehensible format and edited to minimum number of words possible.

**Keep your text simple.** Do not use too many words on a single screen. Use key words and simple phrases, excluding all but the most essential information.

**Text and background should contrast strongly**, creating a very readable combination.

**Limit the number of slides.** A good rule of thumb is one slide per minute.

**Display Time for Slides.** Always leave a slide on the screen for at least 30 seconds.

**50-word Limit, fonts, and colors**

- Each screen should contain about 50 words, no more than 70, max.
- Never use fonts smaller than 16 pt (this is 18 pt.), always use bold.
- Never use more than three colors (black + two others)
- Never use any superfluous characters, symbol, clip-art, etc.

One of the most common errors seen in PowerPoint presentations created by the inexperienced presenter is an overuse of special effects, sounds, animations, and other distracting "gadgets." Although they may be cute, such things can become tiresome and even annoying if not used judiciously.

So do not over-use visuals. Use visual aids to emphasize important points and add interest to your presentation—don't put every word of your entire presentation on them. The visuals are not the presentation, their purpose is simply to summarise or illustrate your main points.

### *Discussion Activity*

*Familiarity with your subject and confidence in your research is not enough to give a good oral presentation. Those factors can, in fact, work against giving a good talk. They can produce a false sense of security, make you careless in your preparation, and let you take too much for granted with your audience.*

*You are speaking because you have knowledge worth sharing; however, effective communication of this information requires that you are a reasonably competent public speaker.*

**Comment on the following quotations. What problem do they deal with?**

***“There are two types of public speakers: those that are nervous and those that are liars”***  
Mark Twain

***"The human brain is a wonderful organism. It works from the day we are born until the moment we stand up to speak in public."***

*Financial Times*

## **TEXT 11**

### **Do you have a Fear of Public Speaking?**

Public speaking is a common human fear. Of all speaking situations, professional talks can understandably be the most stressful because colleagues, peers, current and potential bosses, and funding-agency representatives will be judging you and your presentation.

Most people are a little nervous when they speak in public. In fact, a little nervous energy can enhance a performance or presentation. It is important to control this nervous energy, however, so that it remains a positive motivating force rather than a debilitating force. Extra energy can work against you rather than enhance your presentation. You can experience tension, jitters, fidgets, dry mouth, tight throat, and your body can become completely disabled.

It is normal if you are nervous. The answer is to pay special attention to the beginning of your presentation. First impressions count. This is the time when you establish a rapport with your audience. During this time, try to speak slowly and calmly. You should perhaps learn your introduction by heart. After a few moments, you will relax and gain confidence.

#### ***I. Answer the following questions:***

1. What are your fears when giving a scientific presentation?
2. Can you name some of the physical symptoms of being nervous?
3. What usually helps you to feel more relaxed and confident during your scientific presentation?

#### ***II. Comment on the following statements:***

1. By running away from your fears you actually run right back into them.
2. Stage fright occurs because you are more concerned about yourself than your audience.
3. If you make it a habit to face your fear of public speaking it won't bother you any more.  
The only solution is ...just do it.

***III. Think of your personal experience and make a list of some tried and proven tips to overcome your fear of public speaking. Discuss your tips with your fellow students.***

#### **Joke**

- You look like you saw a ghost. What's up with that?
- I've got to give a huge presentation for work today in front of 20 top execs from the company.
- What's the big deal? You know your stuff.
- Yes, but I have big-time stagefright. At the end of my presentation the execs will asking me all kinds of questions. I freeze up when I have to think on my feet.
- Don't psych yourself out. You'll be fine.
- That's easy for you to say. You're not the one who has to give the speech.
- If you get nervous just picture the audience in their underwear. Apparently that helps.
- I'll do that only as a last resort.
- Why?
- The execs are mostly men in their 50's...

## **TEXT 12**

### **Disastrous Presentations**

***I. Think of presentations you have attended that had disastrous or catastrophic events. In addition to nervousness, what do you think made these presentations disastrous?***

***II. David Lodge in his campus novel *Small World* (1984) portrayed the life of a university professor as one long round of jetting to conferences and giving presentations. Read an extract from this humorous novel and make a list of presentation nightmares described in it:***

Conferences are part of the job for a scientist, but why do we do it? We go to listen, we go to be seen, we go to meet, we go to discuss our data. The usual conference dinners, discos or other boozy events are as important as the formal sessions. A large group of normally reticent scientists at the conference disco is an awesome sight, especially when they have had a few drinks.

I get bored quite quickly in the formal presentations, so a speaker must grab me immediately to keep my attention. When my mind wanders, I think of the nightmare speakers I have encountered. One of the most memorable presentations came from Dr “I put the talk together on the plane”. He had probably flown in on the morning of the symposium and, although the audience knew they were in London, the presenter seemed to have no idea what time zone he was in. He bumbled through his presentation, no one got much from it and it was all rather embarrassing. And as this was all taking place at the Royal Institution, you could hear Michael Faraday’s ghost screaming. Apparently, the jet-lagged speaker is now an endangered species. Globe-trotting professors are now turning to a drug called modafinil to combat jet lag and they claim it helps them give better presentations.

Next up steps Prof “Macs are better than PCs”. I am a PC person and have never understood the lure of the Mac, but for many they seem something close to a religious experience. Now I don’t mind them practising this religion in private amongst consenting adults, but it gets on your nerves at conferences. At a meeting I attended in Italy recently, there were several presentations in which a number of PowerPoint slides were mystifyingly blank. The speakers appeared to be mystified too and understandably, the audience found these presentations difficult to follow. The problem arose because the presenter used a Mac and the conference was all PC-based. Haven’t the Mac brigade worked this one out yet?

Prof “Defeated by technology” provides good entertainment. The principal character in Zadie Smith’s *On Beauty* forgets his notes for an important lecture where he is using PowerPoint for the first time and is humiliated as a result. I remember well giving a talk at the Hammersmith Hospital in the early days of PowerPoint when, after loading the talk onto their computer, a message came up on the screen saying *your talk is being modified by the MRC system*. All my demure bullet point diamonds were changed to cheeky TV screens, thereby sweeping aside any gravitas I might have had. My favourite technology nightmare, however, comes from pre-PowerPoint days, back when slides were being used in a carousel projector. One presenter could not get the carousel to work and she was told to turn the carousel over and look underneath. She did this but forgot there was no lid on the carousel. She spent the next ten minutes reassembling her talk from the random pile of slides on the floor while the audience shuffled nervously and some escaped to the bar.

Next we have Dr “My manhood is as big as my PowerPoint file”. This speaker has been told that they have thirty minutes to speak and that there is a strict conference timetable. Thirty minutes are up and the speaker has only got through fifty of his ninety-odd PowerPoint slides. He speeds up and we have to endure five minutes of unintelligible science based on a quick run-through of the remaining forty slides. It does not take much effort to check in advance how long your talk is likely to take, so my sympathy levels here are very low.

Finally we have Prof “I am so cool it hurts”. They usually give excellent presentations because their charisma carries them through; they tell good jokes and they are usually fun to watch. I remember one such speaker demonstrating a point about the structure of DNA by taking off the belt that held up his trousers. This was done in such a florid manner that there was something aggressively Freudian about the gesture, but fortunately his trousers did stay up. Another memory is of a major plenary speaker who, having been introduced, removed first his tie and then his jacket with expansive gestures and delivered the lecture sitting nonchalantly on

the bench at the front. How cool can you get? But this is nothing compared to one of my undergraduate lecturers who delivered his lectures lying prone on the front bench while smoking a pipe. I guess these people are frustrated actors, but they add colour to otherwise dull events.

So we scientists still keep going to conferences despite the presenters. Perhaps it's the chance to travel to exotic locations; perhaps it's the chance to see your friends. Or perhaps it's the chance to add another nightmare presentation to the list.

### *III. Discussion Activity "Dealing with Presentation Disasters"*

*Study the following situations that can occur during your presentation and think of the possible solutions to them:*

What do you do if...

1. You find you have 15 minutes instead of the 45 you planned on.
2. Someone asks a question about an issue you plan to discuss in detail later.
3. You lose your train of thought mid-sentence.
4. You plan to work through a handout page by page; people are moving ahead at their own pace.
5. You expect to speak to 30 people and arrive to find 200.
6. Your throat dries out.
7. Several people start a side conversation while you are speaking.

*Even if you aren't actually confident speaking in front of an audience, fake it. Never show weakness! Don't make excuses for a lack of preparation or knowledge.*

## **TEXT 13**

### **Q&A Pointers**

*Now that you have presented your work to your colleagues, it is time to receive their questions, and possibly their criticism. Open the floor to questions, and be ready to answer.*

#### **I. Answer the following questions:**

*How will you deal with audience questions?*

*What if you can't answer the question?*

*How will you respond to criticism?*

*What if the audience misunderstands what you say?*



Questions are a good opportunity for you to interact with your audience. It may be helpful for you to try to predict what questions will be asked so that you can prepare your response in advance. You may wish to accept questions at any time during your presentation, or to keep a time for questions after your presentation. Normally, it's your decision, and you should

make it clear during the introduction. Be polite with all questioners, even if they ask difficult questions. They are showing interest in what you have to say and they deserve attention. Sometimes you can reformulate a question. Or answer the question with another question. Or even ask for comment from the rest of the audience.

You are the expert; but you may get asked a very hard question, one you don't know the answer to, or on something you hadn't thought about.

- Don't get flustered. You do not have to give an answer; this is not an exam.
- Do not get defensive.
- Think about the question. Don't answer immediately. If nothing good comes, say, "Really good question, I hadn't thought about that aspect. Let's talk about it later..."

If you didn't understand the question, you can be sure a lot of others didn't either: Rephrase the question aloud. "Let me rephrase your question to make sure I understand you clearly: <Repeat question>. Is that it?"

Always be gracious: Never ridicule the questioner, no matter how brain-dead the question. This will turn the audience against you. It's not enough that you made it through your talk. Now you must subject yourself to cross-examination and do so while thinking on your feet. Q & A sessions can definitely be tricky, but remember, while you are at the podium you are in charge.

Never answer questions in a dismissive or confrontational manner. Answer knowledgeably. Remember that "I do not know" is a good answer. If you don't have the answer, say so. Then amplify: "Those data won't be available for several months," or "Sorry, that's outside my area of expertise." Then offer a helpful solution: "I'll find out and get back to you" or "That's Joe Smith's field. See me later and I'll tell you how to contact him."

If you run out of time, apologize for being unable to take every question. Offer to make yourself available after your presentation. Give a short statement to close your Q & A session, then thank your audience for their questions and interest.

***II. Imagine it is the end of your presentation and you are asking if there are any questions. What phrases might you use or hear?***

***III. Think of some phrases that might be appropriate to use when you want to avoid answering questions***

#### **TEXT 14**

##### **Guide to How to Give a "Bad" Presentation**

(Based on a humorous piece by Richard Smith, editor of the *British Medical Journal*, 2000)

***I. Study the following guide to how to give a "bad" presentation and think of some other tips of your own to add to the guide.***

- Forgetting altogether that you agreed to speak is a good way to make a mess of your presentation. A variant is to arrive late. Don't arrive too late because they will simply have cancelled your session, probably sending a thrill of pleasure through an audience facing the prospect of five consecutive speakers.
- One way to prepare for a bad presentation is not to prepare at all. Step up to the platform, open your mouth, and see what comes out. This is, however, a high-risk strategy because spontaneity may inspire both your audience and you. Inspiration must be avoided at all costs.
- A really bad presentation needs careful preparation. A good piece of advice is to prepare for the wrong audience. It is much the best strategy to give an overcomplicated presentation than an oversimplified one.

- Be sure to prepare a presentation that is the wrong length. Too long is much the best. Most of the audience will be delighted if your talk is too short. But something that is too long always depresses an audience, even if what you are saying is full of wit and wisdom.
- Another trick is to ignore the topic you are given, and speak on a completely different subject.
- You may be able to enhance your bad presentation by sending the organizers in advance a long and dull curriculum vitae to read before your presentation.
- Bad slides are the traditional aid of a bad presentation. They must be far too many, contain too much information and be too small for even those in the front row to read. Flash them up as fast as you can, ensuring that they are in the wrong order with some slides upside down. Ideally there should be little connection between what you are saying and what is on the slide.
- The essence of a bad presentation is to be boring. Anything that isn't boring will detract from your bad presentation.
- Never look at the audience. Mumble your presentation, and preferably read it. A presentation that is read will usually be satisfyingly bad, but for the full effect you should have long complicated sentences with dozens of sub-clauses.
- A truly bad presentation rarely produces any questions. Most people will just want to get away. If you do get questions, you may have failed in giving a bad presentation. But all is not lost. By sticking to the basic rules of being boring and overcomplicated, and by speaking too long, you may still be able to rescue your bad presentation. The extra rule on answering questions is that under no circumstances should you really answer them. Once you have finished say, "Does that answer your question?" If the questioner has the effrontery to say no, then do it again, only at greater length.



*Presentation on the topic: Insomnia: is there a cure?*



## **Appendix 1**

### Suggested Criteria for an Excellent Oral Presentation

#### **I. Content**

Extent of coverage  
Difficulty level of coverage  
Clarity of coverage  
Interesting

#### **II. Organization**

##### ***Overall***

Coherent, good coordination, easy to follow  
Concise  
Clear  
Appropriate

##### ***Introduction***

Gained the audience's interest and immediate attention  
Stated purpose clearly  
Identified the topic and defined the scope of the presentation

##### ***Body***

The main points were supported with details  
Documented facts where necessary  
Transitions were made between the main points to enable the listener to follow the development of the presentation  
Sounded believable  
Sounded persuasive  
Informative: something was learnt

##### ***Conclusion***

Signalled the ending  
Summarised main points  
Closed smoothly  
***Answered questions thoroughly and accurately***

#### **III. Delivery – 10 points**

Appearance  
Eye contact  
Facial expression  
Hand control  
Body movements  
Gesturing  
Voice: Loudness & softness (in general & for special effects)  
Speed & pacing (in general & appropriacy of pauses)  
Humor, enthusiasm and interest  
Confidence of presenter  
Timing

#### **IV. Language**

Complexity  
Grammar  
Pronunciation  
Stress & intonation

Vocabulary

Fluency

## V. Visual aids

Suitable number

Varied

Design: clear and well-made

Relevance: used appropriate visual aids

Used visual aids effectively

## Appendix 2

### Active Vocabulary on the Topic “Scientific Conference”

to hold a conference	проводить конференцию
a plenary meeting	пленарное заседание
the opening ceremony	церемонии открытия
a chairman/ chairperson	председатель
to chair the session	председательствовать на заседании секции, вести заседание
to give the floor to smb	давать слово кому-либо
to take the floor	брать слово, выступить
to set the time limit	установить ограничение по времени
to break the time limit	нарушить ограничение по времени
to stimulate discussions	побуждать дискуссии
to ask smb a question	задать вопрос кому-либо
to discuss in detail	обсуждать подробно
to begin /finish with	начать с/ кончить
to emphasize/ point out	подчёркивать/обращать внимание на
to give an explanation of	give an explanation of
to draw a conclusion	делать вывод
to call for questions	призывать задавать вопросы
a speaker/ a contributing participant	докладчик
to submit abstracts	представить аннотации
to present a paper	представить доклад
to take part/participate in a conference	участвовать в конференции
to attend a conference	принимать участие в конференции
to keep to the point	придерживаться темы
to digress from the subject	отклониться от темы
to have a good/poor command of English	хорошо/плохо владеть английским языком
to consider a range of questions	рассматривать ряд вопросов
to cancel smth	отменять что-либо
an agenda	повестка дня, программа
a working group session	заседание секции
to introduce a speaker	представить докладчика
to comment on the paper	сделать комментарии/ замечания к докладу
to do research/ study/ investigate/explore	исследовать, изучать что-либо
to remind of	напоминать
poster presentation	стендовая презентация
oral presentation	устное представление доклада, презентация
to make/give a presentation on	проводить презентацию по теме...
to contribute/to make a contribution to	вносить вклад в
to put forward an idea/hypothesis	выдвинуть идею/ гипотезу

field of science/research	область науки/ исследования
to deal with/to consider the problem of	рассматривать проблему
to take up the problem	заниматься проблемой
to work on the problem	работать над проблемой
to make conclusions	делать выводы
to present research findings	представлять результаты исследования
handouts	раздаточные материалы
visual aids	визуальные средства
screen	экран
pointer	указка
slide	слайд
audience	аудитория
to succeed in	достигать цели, преуспевать в
to perform/carry out numerous experiments	проводить многочисленные эксперименты

### Appendix 3 Useful Phrases

Section of presentation	Possible language
<b>Welcoming the audience</b>	Ladies and gentlemen, thank you very much for coming along here today. Dear Mr. Chairman, ladies and gentlemen, I'm greatly honoured to be invited to this conference. I am very pleased to have this opportunity to.... Good morning, colleagues Good afternoon, everybody
<b>Introducing the subject</b>	The subject/topic of my talk is ... I'm going to talk about ... My topic today is... My talk is concerned with ... The purpose of today's presentation is to discuss how we can... In this paper I would like to talk about .... The subject that I will discuss is...
<b>Outlining the structure of presentation</b>	I'm going to divide this talk into four parts. There are a number of points I'd like to make. Basically/ Briefly, I have three things to say. I'd like to begin/start by ... Let's begin/start by ... First of all, I'll... To start with I'll describe ... ... and then I'll go on to ... Then I'll mention some of the problems we've encountered and how we overcame them. Then/ Next ... After that I'll consider the possibilities for Finally/ Lastly ... Finally, I'll summarize my presentation
<b>Giving instructions about questions</b>	Do feel free to interrupt me if you have any questions. I'll try to answer all of your questions after the presentation. I plan to keep some time for questions after the presentation.

	At the end I'd be very happy to answer any of your questions
<b>Introducing the subject</b>	I'd like to start by... Let's begin by... First of all, I'll... Starting with... I'll begin by...
<b>Finishing one subject...</b>	That's all I have to say about... We've looked at... So much for... Well, I've told you about...
<b>...and starting another</b>	Moving on now to ... Turning to... Let me now turn to.... Let us consider what happens if... The next issue/topic/area I'd like to focus on ... I'd like to expand/elaborate on ... Now we'll move on to... I'd like now to discuss... Let's look now at... Turning to...
<b>Analysing a point and giving recommendations</b>	Where does that lead us? Let's consider this in more detail... What does this mean for...? Translated into real terms... Let us have a closer look at... Let us suppose that... On the contrary... On the one hand...,on the other hand... This is indeed the case when... This is particularly true for.... Why is this important? The significance of this is... According to this theory... Again, I want to point out that... It should be emphasized that...
<b>Paraphrasing and clarifying</b>	Simply put... In other words.... So what I'm saying is.... To put it more simply.... To put it another way....
<b>Ordering</b>	Firstly...secondly...thirdly...lastly... First of all...then...next...after that...finally... To start with...later...to finish up...
<b>Giving examples</b>	For example, ... A good example of this is... As an illustration ... Let me give you my explanation of .... To give you an example, ... To illustrate this point...
<b>Summarising and concluding</b>	To sum up ... To summarise... Right, let's sum up, shall we?

	<p>Let's summarise briefly what we've looked at...</p> <p>If I can just sum up the main points...</p> <p>Finally, let me remind you of some of the issues we've covered...</p> <p>To conclude...</p> <p>In conclusion ...</p> <p>In short ...</p> <p>So, to remind you of what I've covered in this talk, ...</p> <p>Unfortunately, I seem to have run out of time, so I'll conclude very briefly by saying that .....</p> <p>I'd like now to recap...</p> <p>Since I am running out of time...</p> <p>As my time is running out....</p> <p>Before I close I would like to emphasize the importance of....</p> <p>Finally I want to say a few words about....</p> <p>I end this paper with a description of ...</p> <p>In closing I want to mention very briefly...</p> <p>In conclusion, let me say...</p> <p>Summing up, I would like to...</p> <p>The last part of my talk will be devoted to...</p>
<b>Giving recommendations</b>	<p>In conclusion, my recommendations are...</p> <p>I therefore suggest/propose/recommend the following strategy.</p>
<b>Thanking the audience</b>	<p>Many thanks for your attention.</p> <p>May I thank you all for being such an attentive audience.</p>
<b>Invitation to discuss / ask questions</b>	<p>I'm happy to answer any queries/ questions.</p> <p>Does anyone have any questions or comments?</p> <p>Please feel free to ask questions.</p> <p>If you would like me to elaborate on any point, please ask.</p> <p>Would you like to ask any questions?</p> <p>Any questions?</p> <p>Now I'll try to answer any questions you may have.</p> <p>Can I answer any questions?</p> <p>Are there any questions?</p> <p>Do you have any questions?</p> <p>Are there any final questions?</p>

#### Appendix 4

##### Useful Vocabulary for Presenting Figures and Trends:

- As you will see from this graph...
- I'd like to show you ...
- Let me draw your attention to this part of the graph
- Let's look more closely at this month's figures
- This figure refers to ..... only.
- The pie chart shows ... .
- The bar chart represents ... .
- Here you can see a comparison between ...
- On the line graph you will note:
  - a strong upward trend in ...
  - despite occasional fluctuations...

##### Commenting trends

- **Increases :**
  - a slight/constant/marked/substantial increase in ...
  - an increase of about/roughly/approximately/in the region of ...%

- a little over/above what we predicted
- an overall increase in...
- by (month) the figure had risen to ...
- **Decreases :**
  - just under our target
  - way below our expectations
  - a slight/notable/significant decrease in
  - a drop of about ...% in ...
  - a slight/regular/dramatic decline/reduction in ...
  - the situation began to deteriorate in (month)
  - the number has continued to fall

**Fluctuations/Variations :**

- a slow start developed into steady progress in ....
- we note slight fluctuations throughout the year
- the level/the rate has been unstable since ...

## HEMEЦКИЙ ЯЗЫК

### PRÄSENTATIONEN VORBEREITEN

#### Lektion 4: Anleitung zu wissenschaftlichen Vorträgen

**Übung 1.** *Antworten Sie auf folgende Fragen:*

- 1) Nahmen Sie schon an einer internationalen Konferenz teil?
- 2) Was war das Thema der Konferenz?
- 3) Welche Fragen wurden bei der Konferenz besprochen?
- 4) Wer war noch Teilnehmer an dieser Konferenz? Woher kamen die meisten Teilnehmer?
- 5) Machten Sie auch einen Vortrag bei der Konferenz?
- 6) Welche Probleme und Schwierigkeiten hatten Sie bei der Vorbereitung des Vortrags?
- 7) Was war für Sie besonders lehrreich?

**Übung 2.** *Lesen Sie folgende allgemeine Vorschläge für erfolgreiche Präsentation eines wissenschaftlichen Vortrags. Merken Sie sich die Tipps:*

#### Anleitung zu wissenschaftlichen Vorträgen

**Wissenschaftliche Vorträge werden im Lauf des Studiums und auch danach bei vielen Gelegenheiten gehalten:**

- als Seminarvorträge
- als Projekt-Vorträge in Lehrveranstaltungen
- zur Verteidigung einer Abschlussarbeit (Bachelor, Master, Diplom, Promotion, Habilitation,...)
- aber auch auf Tagungen, Workshops, etc.

**Dabei gilt es eine Reihe von Punkten zu beachten:**

##### 1. *Wissenschaftliche Qualität des Inhalts*

Von größter Wichtigkeit ist die Korrektheit des Inhalts.

Er muss auf die Vorkenntnisse der Zuhörerschaft abgestimmt sein. Die Darstellung soll klar, deutlich, übersichtlich und unmissverständlich sein.

Formale Kriterien: Gliederung erforderlich

Inhaltsverzeichnis, ... , Literaturverzeichnis.

Bei Seminarvorträgen sollte man auf jeden Fall die Betreuung des Dozenten in Anspruch nehmen.

Korrektes Deutsch/Englisch/etc. ist Voraussetzung

##### 2. *Qualität des mündlichen Vortrags*

Der Vortrag soll möglichst frei, abwechslungsreich und lebendig erfolgen.

Man muss hinreichend laut reden.

Dies gilt vor allem in akustisch problematischen Räumen, in denen Lüfter von Rechner und Projektoren zusätzlichen Geräuschpegel verursachen. Nichts ermüdet mehr als ein monotoner, zu leiser Vortrag.

Der Vortragende soll Kontakt zu den Zuhörern halten und diese zum Mitdenken und zur Fragestellung motivieren.

Auch Fragen an das Publikum sind möglich.

Der Vortrag muss in einwandfreiem Deutsch (...) ohne Mundartanklänge gehalten werden.

Wird der Vortrag von mehreren Personen gehalten, so können diese sich den Inhalt aufteilen. Die einzelnen Anteile dürfen jedoch nicht zu kurz sein.

### 3. Wahl der Medien

Prinzipiell sind in unserem Kontext möglich:

- Tafelanschrieb
- Overheadprojektor
- Beamer zur Projektion des Computerbildschirms (Powerpoint, Word etc.)

#### **Weitere Regeln:**

Das Medium sollte zum Thema passen.

Ein Medienwechsel trägt zur Auflockerung bei.

Die Schriftgröße muss bei Projektionen hinreichend groß gewählt werden.

Auf eine Folie bzw. einen Bildschirm passt nicht zu viel an Inhalten.

Querformat ist vorzuziehen.

Ein Probevortrag mit dem gewählten Equipment ist dringend anzuraten, damit keine unliebsamen Überraschungen vorkommen.

Man sollte auch 5 Minuten vorher da sein, um alles aufzubauen.

### 4. Zeitvorgabe

Eine Vorgabe des Zeitrahmens ist streng zu befolgen: Nichts ist schlimmer als ein Vortrag, der nicht beendet werden kann (Tagungen!)

Bei Seminarvorträgen an Hochschulen ist man da nicht ganz so radikal mit dem Abwürgen von zu langen Vorträgen.

Wenn man noch keine Routine im Vortragen hat, empfiehlt sich ein Probevortrag, um die Zeitdauer abzuschätzen.

Falls der Vortrag z.B. 45 Minuten dauern soll, so plane man besser mit 40 Minuten.

Auf der anderen Seite wirkt es peinlich, wenn der Vortrag zu kurz wird: Man sollte dann noch etwas "in Reserve" haben.

### 5. Diskussion und Zwischenfragen

Bei jedem wissenschaftlichen Vortrag ist eine Diskussion vorgesehen.

Dabei muss man Rede und Antwort stehen können. Ausflüchte wirken hier nicht gut. Man kann durchaus auch einmal zugeben, dass man etwas nicht weiß.

Auch mit Zwischenfragen der Zuhörer oder des Dozenten ist zu rechnen. Solche Fragen sollte man ernst nehmen.

Wenn man sie nicht beantworten kann, führt dies zu negativer Bewertung.

### 6. Handout

Je nach Anforderung des Veranstalters ist eine Papierkopie oder eine elektronische Version des Vortrags (z.B. im PDF-Format) für die Zuhörer bereit zu stellen. Daran sollte man sich unbedingt halten.

Viel Erfolg bei Ihren Vorträgen! (Aus: <http://www.cs.hs-rm.de/~weber/sysprog/vortrag.htm>)

**Übung 3.** Lesen Sie folgende Aussagen! Welche von denen entsprechen dem Inhalt des gelesenen Textes?

1. Man verwendet Präsentationen nur zur Verteidigung einer Abschlussarbeit oder auf Tagungen.
2. Es ist üblich, in den Seminaren Vorträge zu halten.
3. Der Inhalt des Vortrags soll korrekt und auf die Vorkenntnisse der Zuhörer abgestimmt sein.
4. Der Vortrag soll eine Gliederung haben.
5. Der Vortrag soll auf gutem Deutsch/Englisch gehalten werden.



6. Man muss sehr laut reden.
7. Während des Vortrags darf man dem Publikum keine Fragen stellen.
8. Man kann einen Vortrag auch im Dialekt halten.
9. Ein Medienwechsel ist nicht erforderlich.
10. Bei den Tagungen sollte man unbedingt die Zeit einhalten.
11. Zwischenfragen führen zu einer negativen Bewertung.

**Übung 4.** *Ergänzen Sie die fehlenden Wörter in die Lücken!*

*vorziehen, motivieren, erforderlich, vorgesehen, beitragen*

1. Für einen Vortrag sind Gliederung, Inhaltsverzeichnis und Literaturverzeichnis \_\_\_\_\_.
2. Der Vortragende soll die Zuhörer zum Mitdenken und zur Fragestellung \_\_\_\_\_.
3. Bei wissenschaftlichen Vorträgen ist eine Diskussion \_\_\_\_\_.
4. Man soll Querformat der Folien \_\_\_\_\_.
5. Ein Medienwechsel kann zur Auflockerung \_\_\_\_\_.

**Übung 4.** *Formulieren Sie mit eigenen Worten die wichtigsten Regeln zum erfolgreichen Vortragen!*

**Lektion 5: Die Grundlagen eines guten Vortrags**

**Übung 1.** *Antworten Sie auf folgende Fragen:*

1. Welche psychologischen Aspekte sind für eine erfolgreiche Präsentation wichtig?
2. Wie sollen die Stimme und die Körperstellung des Redners sein? Was soll dabei beachtet werden?
3. Welche Tools und Medien verwenden Sie in Ihren Vorträgen?
4. Wie kann man eine Präsentation lebendiger machen?
5. Was sollte man beim Präsentieren vermeiden?

**Übung 2.** *Lesen Sie den folgenden Text und merken Sie sich die Tipps für eine erfolgreiche Präsentation:*

**Die Grundlagen eines guten Vortrags**

Das öffentliche Sprechen vor Publikum gehört heute zu den wichtigsten Disziplinen im Job: Ob bei Kundenpräsentationen, Präsentationen vor der Geschäftsleitung, Stegreifreden im Meeting - Informationen interessant zu vermitteln, gehört zur Kommunikationskompetenz und nicht selten entscheidet es auch darüber, wie intelligent, kompetent und eloquent ein Mitarbeiter wirkt. So mancher Dampfplauderer hat sich so schon zur Beförderung geredet (mancher allerdings auch um Kopf und Karriere). Wie Sie einen **Vortrag halten**, der ebenso souverän wie sympathisch wirkt, zeigt die folgende Schnellanleitung...

**Die Grundlagen eines guten Vortrags:**

Zunächst die wichtigsten Grundlagen. Manches davon kennen Sie vielleicht schon. Gut so! Wiederholungen sind wichtig, um besser zu werden. Denn auch das macht einen begeisternden Redner aus: Er hat das Prozedere so oft geübt und verinnerlicht, dass er einen souveränen Vortrag mit außergewöhnlichen Ideen zu etwas Besonderem machen kann, ohne sich aus dem Konzept zu bringen. Daher: Diese 10 Regeln sollte jeder Vortrag erfüllen...

1. Schaffen Sie einen interessanten Einstieg

Verdeutlichen Sie die Wichtigkeit Ihres Vortrages anhand einer Statistik, einer interessanten Frage oder eines Zitates. Sie können auch das Publikum zum Start direkt mit einbeziehen - etwa mit kleinen Umfragen.

## 2. Liefern Sie relevante Informationen.

Der unterhaltsamste Vortrag ist wertlos, wenn die eigentliche Botschaft den Zuhörern egal ist. Beginnen Sie daher mit einem Hinweis darauf, welchen Nutzen Ihr Vortrag liefert: Löst er ein persönliches oder praktisches Problem; soll er motivieren, stellt er Untersuchungsergebnisse dar? Beschreiben Sie zunächst die Problemstellung, bevor Sie die Lösung erörtern – so schaffen Sie etwas Dramaturgie und Spannung.

## 3. Benutzen Sie Anekdoten aus Ihrem Leben.

Im besten Fall haben Sie eine oder zwei Geschichten parat, die das zu vermittelnde Thema perfekt untermalen. Das hat neben der tollen Veranschaulichung den Vorteil, dass Sie Ihre Storys lebensnah und ohne Ablesen vortragen können. Falls Sie kein eigenes Erlebnis anbringen können, machen Sie es wie die meisten Komiker und verbinden Sie das Thema mit etwas aus dem täglichen Leben.

## 4. Vergessen Sie aufwändige Powerpoint-Folien,

die mit Informationsmassen gefüllt sind. Eine gute Rede ist einfach gehalten, mit knapper Einleitung, informativem Hauptteil und knackigem Schluss. Fokussieren Sie sich auf ein Thema und streichen Sie unnötigen Wortschmuck. Reden sind eine wenig effektive Kommunikationsform – beim Zuhören wird nur wenig Information hängen bleiben. Also beschränken Sie sich aufs Nötigste.

## 5. Lassen Sie Ihren Körper mitreden.

Im wahrsten Sinne des Wortes: Die alten Weisheiten darüber, dass man etwa die Arme nicht vor dem Körper verschränken sollte, kennt man zur Genüge. Viel interessanter ist aber, wie man es stattdessen richtig macht: Beispielsweise hielt einer meiner Professoren Vorträge grundsätzlich mit einer Hand in der Tasche. Da er mit der anderen jedoch stets treffend gestikuliert, war dieser vermeintliche Lapsus überhaupt nicht relevant. Schluss also mit Standardvorgaben; fühlen Sie sich einfach wohl beim Gestikulieren.

## 6. Variieren Sie Sprachmelodie und Stimmeinsatz.

Neben dem Üben der Inhalte und der Körpersprache ist das der wichtigste Spannungsfaktor: Je passgenauer Sie Aussagen durch die Stimmlage und Lautstärke untermauern, desto besser werden sich Zuhörer daran erinnern. Beispielsweise kommen erstaunliche Fakten noch erstaunlicher rüber, wenn Sie sich selbst auch nach dem tausendsten Vorlesen noch überrascht anhören. Die Variation der Stimmhöhe und Lautstärke verhindert zudem monotones und langweiliges Vortragen.

## 7. Streichen Sie Fachbegriffe.

Gerade bei längeren Vorträgen kann die eine oder andere umgangssprachliche Redewendung die Stimmung auflockern. Aber alles in Maßen: Sie sollen aus einem wissenschaftlichen Vortrag auch keine Stammtischpräsentation machen. Hier und da eine lockere Umschreibung in der Fachbegriff-Wüste wird Ihre Glaubwürdigkeit aber nicht pulverisieren.

## 8. Setzen Sie Fixpunkte im Publikum.

Augenkontakt ist wichtig, aber bei Nervosität schwieriger hinzubekommen als man denkt. Suchen Sie daher am besten einige freundliche Gesichter im Publikum heraus, die Sie öfters anschauen können. Gerade in größeren Sälen werden sich die umher sitzenden Zuschauer ebenfalls angeschaut fühlen. Aber starren Sie nicht allzu lange einzelne Personen an – das wirkt eher bedrohlich als freundlich.

## 9. Üben Sie Ihre Rede im Vorfeld.

Eigentlich selbstverständlich. Das oft empfohlene Üben vor dem Spiegel kann jedoch gerade bei Anfängern mehr verwirren als nutzen. Sprechen Sie lieber vor kleinem Publikum mit einem bis vier Zuschauern und versuchen Sie, Laute wie "äh" und "öhm" durch kurzes Schweigen zu ersetzen. Gleiches gilt für Füllworte wie "also", "eben" und "halt".

## 10. Bleiben Sie locker.

Freuen Sie sich auf Ihren Vortrag, und genießen Sie das öffentliche Sprechen. Wenn Sie das Ganze nur als unnötige Qual ansehen, stehen Sie sich selbst im Weg und übertragen den Unmut

auf das Publikum. Das wirkt kaum souverän. Verzweifeln Sie also nicht an einzelnen Fehlversuchen. Die gehören selbst bei Profis zum Repertoire. Nobody is perfect.  
(Aus: Jochen Mai, <http://karrierebibel.de/vortrag-halten/>)

**Übung 3.** *Sagen Sie anders: formulieren Sie die wichtigsten Tipps für eine erfolgreiche Präsentation mit Hilfe der Modalverben sollen, müssen, können, dürfen:*

Muster: Schaffen Sie einen interessanten Einstieg! - Man **soll** einen interessanten Einstieg schaffen.

**Übung 4.** *Bereiten Sie zwei-drei Powerpoint-Startfolien für eine Präsentation vor. Die Folien sollen das Thema und die Gliederung des Vortrags einführen. Anhand dieser Folien trainieren Sie frei zu sprechen!*

**Übung 5.** *Welche Wörter und Wendungen brauchen Sie, um die Präsentation zu beginnen? Merken Sie sich folgende Redewendungen:*

*Begrüßung:*

- Sehr geehrte Damen und Herren / Meine Damen und Herren, ..
- Liebe Freunde, ...

*Thema angeben:*

- Das Thema meines Vortrags lautet: ...
- Ich spreche heute zu dem / über das Thema: ...
- In meiner heutigen Präsentation werde ich Ihnen ... vorstellen.
- In meinem Vortrag geht es um ....

*Gliederung des Vortrags*

- Ich werde dabei auf folgende Punkte eingehen: ...
- Ich habe meinen Vortrag in drei Teile gegliedert: ...
- Erstens: ... / Zweitens: ... / Drittens: ...
- Zuerst / Zunächst spreche ich über ..., dann komme ich zu ..., im dritten Teil befasse ich mich dann mit ...
- Nach einem kurzen Überblick über ... werde ich mich.... zuwenden und abschließend .... darstellen.
- Dies werde ich Ihnen anhand von Beispielen erläutern.
- Ich beginne mit ... Danach komme ich auf ... zu sprechen. Zum Ende werde ich dann ...

*Strukturierungselemente*

- Als erstes wäre hier X zu nennen.
- Außerdem / Ebenso / Ebenfalls / Des Weiteren...
- Hinzu kommt, dass... /
- Ein weiterer Aspekt / Gesichtspunkt ist...
- Ferner ist zu erwähnen, dass...
- Eng damit verknüpft ist X.
- Besonders betont werden muss / Vor allem aber ist zu beachten, dass ...

*Übergang zu einem anderen Thema*

- Soweit zum Thema X. Ich wende mich nun dem Thema Y zu.
- Damit komme ich zu Thema Y / zum zweiten Teil / zum nächsten Punkt.
- Und nun zum letzten Punkt: ...

*Beispiele / Veranschaulichung*

- Ich darf das mit einigen Beispielen belegen.
- Ich erwähne in diesem Zusammenhang nur das Beispiel X.
- Hierzu ein Beispiel: ...

- Dies möchte ich Ihnen anhand des folgenden Schaubildes erläutern.

#### *Zusammenfassung*

- Ich fasse zusammen: Sie haben gesehen, dass ...
- Zusammenfassend möchte ich sagen / kann gesagt werden, dass....
- Ich möchte ich noch einmal kurz die wichtigsten Punkte

zusammenfassen:

#### *Abschluss*

- Damit bin ich am Ende meines Referates.
- Ich danke Ihnen für Ihre Aufmerksamkeit.
- Haben Sie noch irgendwelche Fragen?

(Aus: Udo Tellmann <http://www.iik-duesseldorf.de>)

### **Anhang 1: Das ABC der Präsentationstipps**

*Lesen Sie das ABC und merken Sie sich noch mehr Tipps für erfolgreiches Präsentieren von den führenden Beratern:*

So werden Präsentationen besser: Die wichtigsten Präsentationstipps und -techniken als kompaktes ABC:

#### *Aufbau*

Beginnen Sie mit einem Knall, einer Anekdote, einer Pause! Die meisten Zuhörer merken sich nur Auftakt und Schlusspointe eines Vortrags. Deshalb sollten beide sitzen. Wem partout nichts einfällt, sagt den Zuhörern wenigstens, warum das Kommende ihr Leben beeinflussen wird. Konzentrieren Sie sich bei Ihrer Präsentation außerdem stets auf das Wesentliche.

Eine gelungene Präsentation orientiert sich am Zuhörer, ist deshalb kurz, folgt einem logischen Aufbau und regt zum Mitdenken an.

Die Faustregel: Nicht mehr als vier Worte pro Zeile, nicht mehr als sechs Zeilen pro Folie. Und weil der Schluss fast immer haften bleibt, braucht er etwas Inspirierendes: einen Ausblick, etwas Spektakuläres. Aber keine Zusammenfassung! Selbst eine provokante Frage ist besser als seine Rede ausplätschern zu lassen.

#### *Blickkontakt*

Halten Sie Blickkontakt zu Ihrem Publikum. Jederzeit. Laut psychologischen Studien muss, wer überzeugen will, mindestens 90 Prozent seiner Redezeit Augenkontakt zum Publikum halten. Der Trick für Schüchterne: knapp über die Menge hinwegsehen. Den Unterschied merkt kein Mensch – Sie müssen nur regelmäßig mit den Augen über alle Köpfe fliegen.

#### *Copyrights*

Leider vergessen das viele Vortragende: Wenn Sie eine öffentliche Präsentation halten, müssen die verwendeten Bilder, Filmausschnitte, Musikausschnitte oder Telefonmitschnitte autorisiert sein, beziehungsweise einer Creative-Commons-Regel unterliegen. Sie verletzen sonst Urheberrechte oder gar Persönlichkeitsrechte. Und ein wenig amüsiertes Zuschauer könnte Sie der GEMA melden. Das wird dann teuer.

#### *Design*

Über die Frage, wie man eine optimale Folie gestaltet, gibt es unzählige Ratschläge. Bewährt hat sich indes die Regel KISS – Keep It Straight and Simple. Im Extrem heißt das: **Nur eine**

**Botschaft pro Folie.** Die Aufmerksamkeit des Publikums ist begrenzt und sollte vor allem Ihrem Vortrag gehören. Zu viele Bulletpoints, Fußnoten oder unbedacht eingesetzte Grafiken und Bilder verwirren nur. Je mehr Informationen eine Folie enthält, desto mehr verschwimmt die Kernaussage.

Aus demselben Grund wirken auch Überschriften redundant. Besser also: nur eine Zeile pro Folie. Die Slides sollen schließlich den Vortrag visualisieren – nicht ersetzen.

Konkret: Auf der Folie, die dieses Prinzip umsetzt, stünde in diesem Fall nur "K I S S" in großen Lettern. Den Rest erklärt der Redner.

Aber Achtung: Solche Folien ergeben ohne den Vortrag keinen Sinn mehr und eignen sich daher nicht für ein Memo oder Handout, das Sie nach der Präsentation ans Publikum verteilen. Hier brauchen Sie dann natürlich wieder die Erklärung inklusive.

### *Effekte*

Seien Sie sparsam mit Stilmitteln. Verwenden Sie nie mehr als zwei Schrifttypen und möglichst nur Farben aus einer Familie (zum Beispiel Rot, Orange, Zinnober) und verzichten Sie auf überflüssigen Schnickschnack wie Überblend- oder Soundeffekte. Das lenkt nur ab. Ein guter Vortrag ist ein relevantes Extrakt: **nicht Vollmilch, sondern Kondensmilch.**

Guy Kawasaki, ein gefragter Redner und Wagnisfinanzier aus dem Silicon Valley hat die populäre 10–20–30-Regel aufgestellt: Danach sollte ein guter Powerpoint-Vortrag nie mehr als 10 Folien umfassen, nicht länger als 20 Minuten dauern und eine Schriftgröße von nicht weniger als 30-Punkt verwenden. Das gilt sicher nicht für alle Vorträge, aber ein Großteil wäre besser, würde das berücksichtigt.

### *Folien*

Zuschauer wollen bei Präsentationen erstens beeindruckt, zweitens unterhalten, drittens angeregt und erst an vierter Stelle informiert werden. Das hat die Unternehmensberatung Mercer herausgefunden. Nach diesem Prinzip sollten Sie auch Ihre Folien aufbauen.

Aufsehen erregen Sie etwa mit Reizwörtern, interessanten Einblicken, überraschenden Vergleichen und unbekanntem Fakten und Nachrichten, die für Ihre Zuhörer relevant sind (zum Beispiel die Ergebnisse einer neuen Studie). Die Höhepunkte dessen sollten Sie am Anfang und am Ende des Vortrags platzieren.

### *Grafiken*

Starre Grafiken werden nur selten erinnert. Der Grund: Sie sind leblos. Beim Betrachter lösen sie weder Bilder im Kopf noch Emotionen aus. Überzeugungskraft entfalten Grafiken vor allem, wenn diese animiert werden. Wenn Sie also einen dramatischen Anstieg darstellen wollen, zeigen Sie nicht fünf Balkendiagramme in Reihe, sondern einen Balken, der während Ihres Vortrags dramatisch wächst. Das prägt sich viel besser ein und ist obendrein spannend zu beobachten.

### *Handout*

Wenn Sie etwas Bleibendes hinterlassen wollen, geben Sie zu Ihrem Vortrag ein umfassendes Handout mit Zahlen, Daten und Tabellen aus. Aber nie (!) vor der Präsentation, sondern immer erst danach. Kein Mensch hört oder sieht Ihnen noch zu, wenn er die Pointe Ihrer Rede bereits nachschlagen kann. Und wenn möglich geben Sie auch nicht einfach Kopien Ihrer Powerpoint-Folien ab. Wenn Sie alles richtig gemacht haben, sind diese ohne Ihren Vortrag nutzlos. Was

sich stattdessen eignet, sind Checklisten, Literaturtipps, Tipplisten, Links zu weiterführenden Seiten.

### *Initial*

Wie Sie Ihre Rede eröffnen, entscheidet oft schon, ob Ihnen Ihr Publikum auch den Rest des Vortrags gespannt zuhört – oder bereits nach den ersten Sekunden abschaltet. Folgende Einstiegsformen haben sich bewährt:

Interaktiv – Lassen Sie Ihr Publikum selbst über Ihr Thema sinnieren, indem Sie eine rhetorische Frage, am besten aus der Metaebene stellen: "Was denken Sie: Wie kann ein Redner dafür sorgen, dass ihm sein Publikum zuhört?"

Nachrichtlich – Beginnen Sie mit den Ergebnissen einer aktuellen Studie oder (Branchen-)News: "Sie haben es heute gelesen: Die Konjunktur flaut ab..."

Überraschend – Sie können die Nachricht aber auch bewusst verfälschen und eine Falschaussage treffen, um eine Art Was-wäre-wenn-Szenario aufzubauen: "Die Statistik zeigt: In zehn Jahren ist Deutschland ein Greisenheim."

Provokativ – Überhöhen Sie Ihre Kernthese oder -aussage zum Extrem, das schafft Reibungsfläche, aber eben auch Aufmerksamkeit: "Wer nicht netzwerkt, findet keinen Job."

Vergleichend – Analogien, Parabeln, Gleichnisse – Geschichten hört jeder gerne: "Vorträge sind wie Stau: Man würde gerne abkürzen, kommt aber nicht raus."

Persönlich – Apropos Geschichten: Erzählen Sie eine eigene, eine Anekdote aus ihrem Leben: "Sie werden nicht glauben, was mir gerade im Hotel passiert ist..."

Humorvoll – Starten Sie zur Auflockerung mit einem Witz, idealerweise mit einem, der zum Thema passt.

### *Jux*

Würzen Sie Ihre Präsentation und Folien ruhig mit ein bisschen Humor.

Schon 1977 fanden die Psychologen Robert M. Kaplan und Gregory C. Pascoe heraus, dass Personen sich eher an die Inhalte einer Rede erinnern, wenn diese mit Humor gewürzt war. Forscher der Universität Michigan wiederum untersuchten 1986 über 1000 Anzeigen und kamen zum Ergebnis: Humorige Werbung wird in 17 Prozent der Fälle öfter erinnert als normale. Aber übertreiben Sie es nicht. Humor ist wie Salz: **Im Übermaß verdirbt es die Speise.**

### *Körpersprache*

Der optimale Stand beim Präsentieren sieht so aus: Die Beine sind durchgestreckt und leicht geöffnet. Die Füße stehen parallel und fest auf dem Boden (Wippen, Ballen- oder Fersenstellung verrät Nervosität, Unsicherheit und Verspannung). Der Rücken ist durchgestreckt. Die Arme sind angewinkelt. Die Hände – so sie nicht auf etwas zeigen – liegen ineinander, Handflächen nach oben (signalisiert Offenheit und Ehrlichkeit). Arme bitte nie verschränken. Oder beide in die Hosentaschen stecken... wirkt unhöflich und unehrlich. Erlaubt ist aber, ab und an die passive Hand in die Hosentasche zu stecken. Und machen Sie stets ruhige, langsame Bewegungen. Das wirkt souveräner als ein nervöser Hampelmann auf der Bühne.

### *Lampenfieber*

Der Hals schnürt sich zusammen, der Mund wird trocken, die Hände nass, der eigene Puls pocht im Ohr. Man fühlt sich nackt und ohnmächtig – in einem Wort: Lampenfieber. Der Fehler dabei: Die Betroffenen konzentrieren sich zu sehr auf ihr Selbst, ihre Gefühle, ihre Scham, ihre Wirkung, ihre Ovationen. Alles Ballast.

Während der Sprecher versucht den Bammel vor der Begegnung mit den anderen zu kontrollieren, verliert er den Kontakt zum Publikum und seine Wirkung verpufft. Der erste Schritt, Nervosität zu überwinden, ist aus der Antizipation der Reaktionen realistische Szenarien zu formen:

Was kann schon passieren?

Was wären die Folgen?

Auch Praktisches klären: Wie sieht der Vortragsraum aus?

Was kann ich vorbereiten?

So wird aus der Angst Gewissheit, und davor muss man sich nicht fürchten.

Ein weiterer Fiebersenker ist, sich zu entspannen: Holen Sie noch hinter der Bühne tief Luft in Bauch und Brust. Dann schütteln Sie sich ordentlich aus. Sieht albern aus, hilft aber wirklich. Wiederholen Sie das mindestens zehn Mal bis die Hände kribbeln.

Was ebenfalls Wunder wirkt: Suchen Sie Kontakt zum Publikum.

Anfänger sollten sich jemanden in der Menge suchen, der ihnen zulächelt oder zunickt. Im Zweifel ist das ein Freund, der sie heimlich unterstützt. Fortgeschrittene bauen ihr Publikum bewusst ein – indem sie Zwischenfragen stellen. Der Effekt ist enorm: Je stärker der Kontakt, desto geringer die Panik. Und sollte der rote Faden dennoch reißen, behalten Sie Ruhe: Eine Pause von fünf Sekunden wird als Betonung oder Denkpause gewertet. Brauchen Sie länger, fassen Sie einfach die bisherigen Ergebnisse zusammen. Und nehmen Sie Ihr Lampenfieber nicht so wichtig: Laut Studien dringt davon allenfalls ein Achtel nach außen.

### *Leinwand*

Nicht die Powerpoint-Folien spielen die Hauptrolle, sondern Sie. Entsprechend sollte die Leinwand, auf der Sie Ihre Folien zeigen, nie in der Mitte der Bühne stehen – das ist Ihr Ort. Sie sind der Mittelpunkt der Präsentation. Der Platz der Leinwand ist links und/oder rechts von Ihnen. Und: Kein noch so schickes Folien-Brimborium kann einen schlechten Vortrag rausreißen. Es kann ihn aber verschlimmern. Geben Sie ihm also nicht zu viel Raum.

### *Monitor*

Denken Sie daran, vor dem Vortrag Ihren Bildschirmschoner zu deaktivieren sowie ein paar Verlängerungskabel für den VGA-Ausgang mitzunehmen. Im ersten Fall könnte das zu peinlichen Momenten kommen – je nachdem, was Ihr Bildschirmschoner zeigt. Im zweiten Fall bleiben Sie flexibel, falls Sie Ihren Bühnenstandort verändern möchten.

### *Notizen*

So manche Powerpoint-Präsentation gerät zur Offenbarung – dann nämlich, wenn der Redner sein Laptop an den Beamer anschließt und alle sehen, wie sein Desktop aussieht, wofür er sich interessiert und welche Bilder er sich vielleicht kürzlich herunter geladen hat.

Säubern Sie also Ihr Desktop, bevor Sie den Bildschirminhalt ausstrahlen. Aber auch während der Präsentation möchten Sie vielleicht auf Ihrem Laptop eigene Notizen sehen, während Ihr Publikum nur die Slides anschaut.

### *Publikum*

Wie sehr Sie Ihr Publikum fesseln, hängt auch davon ab, wie sehr Sie es bei Ihrem Vortrag einbeziehen. Dabei stehen Ihnen grundsätzlich folgende Formen zur Verfügung:

Die bewährteste Form ist, Fragen zu stellen – als kurze Meinungsumfrage (Wie würden Sie entscheiden?), als Quiz (Richtig oder falsch?) oder Zielgruppenanalyse (Sind heute Manager unter uns?).

Stellen Sie kurze und kompakte Fragen! Nie mehr als zwei Sätze. Stellen Sie provokante oder ungewöhnliche Fragen, aber niemals ähnliche. Ausnahme: Sie fragen ganz bewusst am Anfang und am Ende des Vortrags dasselbe, um einen Sinneswandel im Publikum zu dokumentieren.

Sie können aber das Publikum selbst Fragen stellen lassen. Aber Achtung: Klugschwätzer und Querulanten können die Dramaturgie zerstören. Wer das Mikrofon freigibt, sollte deshalb vorher überlegen, wie er auf solche Typen reagiert. Grundregel: Immer höflich und souverän bleiben.

Niemals versuchen, gegen eine plaudernde Masse anzureden. Besser: Pausieren, bis alle still sind. Auch gut: etwas Rätselhaftes auf das Flipchart malen. Das macht die Leute neugierig und sie werden schneller still.

Sollte es keine Mikrofone für das Publikum geben, wiederholen Sie bitte die Statements oder Fragen aus dem Publikum. Nichts ist nerviger als eine Diskussion, die der Rest des Saals nicht mitverfolgen kann.

### *Quote*

Zitate lockern jeden Vortrag auf. Zudem schmücken Sie die Präsentation durch die Prominenz des Autors und geben Ihrer Rede so zusätzliches Gewicht. Klassisch ist etwa das Quote bei Vortragsbeginn. Achten Sie aber stets darauf, dass das Zitat möglichst kurz ist und verwenden Sie auch nur eines pro Folie. Auf der sollte dann nichts weiter stehen als ein Zweizeiler in Anführungszeichen - und natürlich der Urheber.

### *Rückfragen*

Was tun, wenn mitten im Vortrag Rückfragen kommen – oder schlimmer: Wenn Störenfriede dazwischen rufen oder Ihre Präsentation kritisieren, bevor sie zu Ende ist? Das Wichtigste: Niemals die Souveränität verlieren und sich lauthals über die Nervensäge empören. Das macht Sie klein.

Bei Rückfragen, auf die Sie nicht eingehen wollen, verweisen Sie am besten auf später ("Dazu komme ich noch" oder "Bitte merken Sie sich Ihre Frage. Am Ende des Vortrags werde ich solche Fragen gerne beantworten."). Oder Sie stellen eine rhetorische Gegenfrage: "Was würde denn aus Ihrer Sicht den Vortrag interessanter machen?" Oder bitten Sie den Nörgler um Präzisierung: "Was verstehen Sie denn unter ...?"

### *Sprache*

Schon die Sprachmelodie sorgt für Spannung. Heben und senken Sie Ihre Stimme ab und an und werden Sie mal lauter und leiser, selbst kurzes Flüstern ist erlaubt. Das steigert die Wirkung Ihrer Aussagen enorm. Hauptsache, Sie variieren und machen auch mal Pausen.

Darüber hinaus gilt: Hauptsachen in Hauptsätze! Formulieren Sie möglichst keine Relativ- und schon gar keine Schachtelsätze. Überzeugend wirken allein Hauptsätze mit nicht mehr als zehn Wörtern. Wie dieser.

Und betonen Sie die Verben. Die meisten Redner legen das Gewicht auf Substantive. Falsch! Verben, insbesondere aktive, regen das Gehirn wesentlich stärker an und machen den Vortrag spannend.

Und falls es komplizierter wird, verwenden Sie Sprachbilder. Technische Themen ohne Metaphern, Vergleiche, Parabeln lebhaft darzustellen, ist ungefähr so einfach wie einen Pudding an die Wand zu nageln. Das war eine Metapher.

### *Timing*



Auf die Reihenfolge kommt es an. Falsch ist: Erst projizieren, dann vorlesen. Dann hört Ihnen keiner mehr zu, weil das Publikum erst selbst liest. Hören die Leute danach, was sie schon wissen, schalten sie zudem ab. Deshalb sollte eine Folie nur Stichworte oder einprägsame Zahlen beinhalten. Und die sollten Sie exakt dann einblenden, wenn sie auch im Vortrag kommen. Nicht vorher, nicht danach.

Bei Flipcharts oder Overheadprojektoren ist das ähnlich: Erst sagen, dann schreiben. Niemals Folien oder Flipchartblätter nur ablesen. Erstens beleidigt das die Intelligenz der Zuhörer (die können selber lesen). Zweitens hört sowieso keiner zu. Besser: Die Punkte zuerst verbal erarbeiten, dann notieren.

### *Unterbrechen*

Gönnen Sie Ihren Zuschauern ab und an eine Pause. Nicht nur akustisch, sondern auch optisch. Sie werden überrascht sein, wie wohltuend und zugleich aufmerksamkeitssteigernd der Effekt ist, wenn Sie zwischendurch eine leere Folie einblenden. Die Zeit können Sie zum Beispiel nutzen, um wichtige Kernaussagen zu wiederholen, eine persönliche Anekdote zu erzählen, eine kurz Gruppendiskussionen oder Zuhörerfrage einzubauen.

(Aus: <http://karrierebibel.de/presentationstipps/>)

## **7 Redetipps, die auch Ihren Texten guttun**

Ein Artikel von Andrea Joost, Trainerin für wirkungsvolles Reden und sprachliche Cleverness

Immer wieder erlebe ich Teilnehmer, die mit folgendem Aha-Effekt aus meinen Workshops gehen: „Was wir hier für Vorträge und Präsentationen mitgenommen haben, funktioniert ja genauso in der geschriebenen Sprache.“

In der Tat! Gelten doch in beiden Welten vergleichbare Regeln: Ganz gleich, ob Sie Ihre Botschaft auf der Rednerbühne transportieren oder einen Text verfassen, es geht immer darum, andere zu überzeugen und für sich zu gewinnen. Jetzt gilt es, sowohl den Kopf als auch das Herz Ihrer Zuhörer und Leser zu erreichen. Das klappt allerdings nur, wenn Sie Ihre Inhalte gehirnfreundlich verpacken, Emotionen wecken und dafür sorgen, dass Ihr Gegenüber Ihnen leicht folgen kann.

### **Mit Worten bewegen – geschrieben und gesprochen!**

Mit den folgenden **7 Tipps** punkten Sie nicht nur auf der größeren oder kleineren Bühne, sondern können damit auch Ihre **Texte aufpeppen**:

#### **1. Sie wissen genau, worauf Sie hinauswollen!**

Hand aufs Herz, wie oft reden oder schreiben Sie im Eifer des Alltagsgefechts einfach drauflos? Freilich ist es wunderbar, spontan zu sein und so manch gute Idee entsteht im Tun. Je klarer Sie allerdings wissen, wo die Reise hingehet, desto wahrscheinlicher ist es, dass Ihre Botschaft auch ankommt. Bevor Sie also das nächste Mal ans Werk gehen, schnappen Sie sich doch ein Blatt Papier und notieren Sie jeweils die drei wichtigsten Aspekte zu diesen beiden Fragen:

- Was möchte ich transportieren?
- Was erwartet mein Gegenüber vermutlich von mir?

Aus den Ergebnissen lassen sich dann ruckzuck Ihre **Kernbotschaften** und ein roter Faden ableiten – die besten Voraussetzungen, um Ihr Thema klar auf den Punkt zu bringen, gut zu strukturieren und bei Ihrem lesenden oder hörenden Publikum in Erinnerung zu bleiben.

#### **2. Sie fassen sich kurz!**

Bandwurmsätze, bei denen weder Sie noch Ihr Gegenüber genau wissen, wo sie anfangen und aufhören, sind sowohl in der gesprochenen als auch in der geschriebenen Sprache weit verbreitet

und führen dazu – ich berichte aus eigener Erfahrung –, dass das Gegenüber aussteigt. Stopp! Bitte reden und schreiben Sie lieber in **kurzen Sätzen**.

Verabschieden Sie sich von Schachtelkonstruktionen und gehen Sie sparsam mit Nebensätzen, Einschüben sowie dem Bindewörtchen „und“ um. Je einfacher Sie sich ausdrücken, desto leichter können andere Ihnen folgen. Abgesehen davon, dass kurze Sätze und eine **knackige Sprache** auch deutlich dynamischer klingen

### **3. Sie werden konkret!**

Obwohl leeres Gerede eigentlich total verpönt ist, sind allgemeine Formulierungen und Worthülsen dennoch weit verbreitet – weil Sie wichtig klingen und vertraut sind. Denken Sie nur an Aussagen, wie „Wir sind kundenorientiert!“, „Wir bieten Ihnen eine innovative Lösung!“, „Bei uns steht der Mensch im Mittelpunkt“ ... Damit werden Sie wohl kaum jemanden begeistern. Das sind Worte, die in den Köpfen unserer Zuhörer und Leser weder Gefühle noch Bilder auslösen und damit wirkungslos bleiben.

Anschaulich und lebendig werden Ihre Informationen dann, wenn Sie sie mit **handfesten Fakten** unterlegen. Zum Beispiel, indem Sie genau **verraten, was Ihre Kundenorientierung konkret ausmacht**: Gibt es eine 24-Stunden-Hotline, eine regelmäßige Kundenbefragung oder ein besonderes Beratungsangebot? So kurbeln Sie das Kopfkino Ihres Gegenübers an und verwandeln oberflächliche, glatte Aussagen in überzeugende Stories, die wirklich Eindruck hinterlassen.

### **4. Sie formulieren aktiv!**

Passive Satzkonstruktionen verpacken Sachverhalte abstrakt und verschleiern Verantwortlichkeiten. Oder haben Sie eine Idee, wen Sie bei der Aussage „Das Protokoll wird nächste Woche unterschrieben“ zur Rechenschaft ziehen können, wenn nächste Woche vielleicht doch nichts passiert? Das mag praktisch sein. Wirkungsvolles Reden und Schreiben sieht jedoch anders aus.

Die Menschen wünschen sich, dass Sie **Klartext** mit ihnen sprechen. Das steckt schon im Wort: **Aktivsätze sind greifbarer und kraftvoller als das Passivgemauschel**. Sie nennen Ross und Reiter, erzeugen Bilder im Kopf und gehören damit unbedingt zu einer mitreißenden, überzeugenden Sprache. Sagen Sie deshalb bitte „Frau Meier unterschreibt den Vertrag“ statt „Der Vertrag wird unterschrieben“ oder „Die Kollegen aus der Forschung müssen das Versuchsergebnis dringend überprüfen“ statt „Das Versuchsergebnis muss dringend überprüft werden“.

### **5. Sie verabschieden sich von Substantivmonstern!**

„Die Veröffentlichung des Buches erfolgt im Februar“, „Die Kundenzufriedenheit ist ein entscheidender Erfolgsfaktor“, „Nachhaltigkeit ist Grundlage unseres Handels“ ... so oder so ähnlich lesen sich die Hauptwortungeheuer. Das Problem dabei: Solche Konstruktionen sind **gestelzt** und auf Dauer ziemlich anstrengend für Leser und Zuhörer.

Sie möchten den Monstern das Handwerk legen? Dann halten Sie gleich einmal Ausschau nach allen -heit-, -keit- und -ung-Endungen – sie zeigen Ihnen schnell, wo das Substantivmonster zugeschlagen hat. Um natürlich zu wirken, **ersetzen Sie diese schwerfälligen Formulierungen am besten durch Verben**. Dann heißt es zum Beispiel „Das Buch erscheint im Februar“ statt „Die Veröffentlichung erfolgt im Februar“ ... und schwups! klingt Ihre Aussage viel geschmeidiger.

### **6. Sie sprechen Deutsch!**

Leider hat sich die einfache Sprache im Businessalltag noch nicht durchgesetzt. Da wird aggregiert, implementiert, verifiziert, was das Zeug hält, und es schwirrt einem schnell der Kopf vor lauter Fremdwörtern, Anglizismen und Fachbegriffen. Häufig ohne Rücksicht auf Verluste. Wie schade! Denn sobald Ihr Gegenüber gefordert ist, komplexe Aussagen in eine **verständliche**

**Sprache** zu übersetzen, kann es sich nicht mehr auf die eigentliche Botschaft konzentrieren. So werden ganz schnell wertvolle Punkte verspielt.

Wenn Sie möchten, dass man Ihnen gut und ohne großen Energieaufwand folgen kann, lohnt es sich, das **Fremdwörterparprogramm** einzuschalten und den Fachjargon zu reduzieren. Die Devise lautet: so viel wie nötig und so wenig wie möglich. Sie denken, dass Ihr Gegenüber eine gehobene Sprache erwartet? Natürlich darf im Kontakt mit Experten der eine oder andere Fachbegriff fallen. Aber eines ist sicher: Auch Fachleute freuen sich über einen gut verdaulichen Rede- bzw. Schreibstil.

### 7. Sie trauen sich, persönlich zu werden!

Egal, ob Sie reden oder schreiben – je mehr Sie **zeigen, was Sie ausmacht**, desto schneller bauen Sie Vertrauen auf und schaffen einen guten Draht zu Ihrem Gegenüber. Schließlich sind Sie nicht nur Wissensvermittler, sondern in erster Linie Mensch ... Ihr Publikum möchte *Sie* kennenlernen. Trockene Informationen alleine genügen da nicht.

Keine Sorge, Sie müssen nicht Ihr komplettes Inneres nach außen kehren. Oft reicht schon ein Bild aus dem Alltag oder eine kleine Geschichte, um **es menscheln zu lassen**. Außerdem hilft es, wenn Sie sich so ausdrücken, wie Sie es auch im „normalen Leben“ tun würden, und sich nicht in einen glatt polierten Rahmen pressen lassen. Besinnen Sie sich auf Ihre persönlichen Stärken und vertrauen Sie auf das, was in Ihnen steckt. Das ist eine ganze Menge!

### Bleiben Sie dran und nutzen Sie Ihre Stärken!

Zugegeben, da kommt einiges zusammen, was berücksichtigt werden darf. Aber dranbleiben lohnt sich! Denn einmal verinnerlicht, werden Sie von diesen Ideen sowohl im gesprochenen als auch im geschriebenen Wort profitieren. Und falls Sie sich bislang nur in einer dieser beiden Welt so richtig wohlfühlt haben, dann schnuppern Sie jetzt doch mal ganz gezielt in die andere hinein. Nur Mut! Mit Ihren Stärken sind Sie bestens gewappnet und werden vermutlich mehr Parallelen entdecken, als Sie für möglich gehalten hätten.

<https://www.schreibwerkstatt.co.at/2016/02/12/7-redetipps-die-auch-ihren-texten-guttun/>

Redemittel für Vorträge und Präsentationen	
Anrede	<ul style="list-style-type: none"> <li>- Guten Tag, meine Damen und Herren!</li> <li>- Meine Damen und Herren, ...</li> <li>- Sehr geehrte Damen und Herren, ..</li> <li>- Verehrte Zuhörer!</li> </ul>
Einleitung	<ul style="list-style-type: none"> <li>- Darf ich Sie um Ihre Aufmerksamkeit bitten?</li> <li>- Ich begrüße Sie (herzlich) zu meiner Präsentation. / Wir begrüßen Sie zu unserem Vortrag / Referat.</li> </ul>
Thema	<ul style="list-style-type: none"> <li>- Das Thema meines Vortrags ist/lautet: ...</li> <li>- Wir werden heute über ... [+Akk.] sprechen.</li> <li>- In meiner Präsentation möchte ich Ihnen heute ... [+Akk.] vorstellen.</li> <li>- Ich möchte Ihnen etwas über ... [+Akk.] vortragen / präsentieren.</li> </ul>
Begründung	<ul style="list-style-type: none"> <li>- Dieses Thema ist bedeutsam, weil...</li> <li>- Das Thema ist meiner Meinung nach ...</li> </ul>
Gliederung	<ul style="list-style-type: none"> <li>- Mein Vortrag besteht aus folgenden Teilen:</li> </ul>

	<p>Am Anfang werde ich über ... sprechen, danach über ... und am Ende / zuletzt über ...</p> <ul style="list-style-type: none"> <li>- Als erstes ... / Zu Beginn ...</li> <li>- Im zweiten Teil meiner Präsentation werde ich Ihnen ... [+Akk.] vorstellen.</li> </ul> <p>Als letztes ... / Im letzten Teil ...</p> <p><a href="http://www.utu.fi/fi/yksikot/tse/yksikot/kielet-ja-liikeviestinta/hankkeet/LAAKEA-hanke-QualiDaF/Documents/Redemittel.pdf">http://www.utu.fi/fi/yksikot/tse/yksikot/kielet-ja-liikeviestinta/hankkeet/LAAKEA-hanke-QualiDaF/Documents/Redemittel.pdf</a></p>
Hauptteil: Einleitung der einzelnen Teile	<ul style="list-style-type: none"> <li>- Nun kurz zum Problem der/ des ...</li> <li>- Doch nun als erstes zu ... [+Dat.]</li> <li>- Jetzt gehe ich zu ... [+Dat.] über.</li> <li>- Ich möchte jetzt übergehen zu ... [+Dat.]</li> <li>- Als nächstes möchte ich zu ... [+Dat.] übergehen. / über ... [+Akk.] sprechen.</li> </ul>
Abschluss der einzelnen Teile	<ul style="list-style-type: none"> <li>- So weit zu diesem Punkt/ Thema/ Problem ...</li> <li>- Nachdem ich ..., werde ich ...</li> <li>- Soweit zu ... [+Dat.].</li> </ul>
Auf Tabellen u.ä. verweisen	<ul style="list-style-type: none"> <li>- Zu diesem Punkt möchte ich Ihnen ein paar Tabellen / Abbildungen / Diagramme zeigen.</li> <li>- Diesen Punkt möchte ich mit ... verdeutlichen / veranschaulichen</li> </ul>
Vor- und Rückverweise	<ul style="list-style-type: none"> <li>- Zu diesem Punkt zeige ich Ihnen später eine Tabelle.</li> <li>- Wie Sie in der Tabelle 1 gesehen haben, ...</li> </ul>
Direkte Anrede der ZuhörerInnen	<ul style="list-style-type: none"> <li>- Dies werden Sie im Laufe der Präsentation sehen.</li> <li>- Können Sie sich vorstellen, dass ...?</li> <li>- Wie Sie wissen / erkennen, ...</li> <li>- Ich möchte Ihnen zeigen, dass ...</li> <li>- Ich möchte / Wir möchten Ihnen ... [Akk.] vorstellen.</li> <li>- Wie Sie sehen, ...</li> <li>- Sie haben gesehen, dass ...</li> <li>- Wie Sie sicher / vielleicht / schon wissen / erkennen, ...</li> <li>- Wie Sie sicher schon bemerkt haben, ...</li> <li>- Wie Ihnen hoffentlich klar geworden ist, ...</li> <li>- Ein weiterer Punkt, der Sie (vielleicht / sicher) interessieren wird, ist ...</li> </ul>
Abschluss der Präsentation und Zusammenfassung	<ul style="list-style-type: none"> <li>- Ich möchte nun kurz zusammenfassen: ...</li> <li>- Zum Schluss möchte ich die entscheidenden Punkte nochmal kurz nennen: ...</li> <li>- Bevor ich zum Schluss meiner Präsentation komme, ..., möchte ich kurz zusammenfassen: Sie haben gesehen, ...</li> <li>- Zusammenfassend ...</li> </ul>

Schluss	<ul style="list-style-type: none"> <li>- Vielen Dank für Ihre Aufmerksamkeit.</li> <li>- Ich bedanke mich für Ihre Aufmerksamkeit.</li> <li>- Vielen Dank fürs Zuhören</li> <li>- Damit bin ich am Schluss meines Vortrages angekommen. Ich danke Ihnen für Ihre Aufmerksamkeit.</li> <li>- Ich möchte mich ganz herzlich für Ihre Aufmerksamkeit bedanken.</li> </ul>
Zum Fragen auffordern	<ul style="list-style-type: none"> <li>- Wenn Sie Fragen haben, beantworte ich sie gern.</li> <li>- Wenn Sie noch Fragen haben, werde ich diese gerne beantworten.</li> <li>- Haben Sie nun noch Fragen?</li> <li>- Wenn Sie Fragen haben, bin ich natürlich gern bereit, sie zu beantworten.</li> <li>- Wenn Sie nun noch Fragen über ... [+Akk.] / zu ... [+Dat.] haben, werde ich Ihnen diese natürlich gerne beantworten.</li> </ul>
Auf Fragen reagieren	<ul style="list-style-type: none"> <li>- Das ist eine interessante / schwere Frage.</li> <li>- Diese Frage kann ich leider nicht beantworten, weil ...</li> </ul>

## ФРАНЦУЗСКИЙ ЯЗЫК

### I. Lisez le texte et répondez aux questions.

#### Un autre regard

D'ordinaire, parler d'un peuple c'est définir en quoi il se distingue des autres. Ce qui évite de s'interroger sur la ressemblance que présentent entre eux les gens d'un même pays ; pour moi, c'est là le point de départ indispensable. Les Français s'estiment souvent incompris par des étrangers, insuffisamment appréciés, mal aimés. Ils ont raison. Les étrangers adorent la France en tant que pays, mais pas les Français en tant que peuple. C'est particulièrement vrai des Anglo-Saxons. Les Anglais visitent la France plus que tout autre pays étranger ; mais 2% seulement d'entre eux disent qu'ils admirent les Français, et ceux qui souhaiteraient vivre parmi eux sont plus rares encore. Les sondages d'opinion montrent régulièrement que les Anglais se méfient des Français autant que des Russes, et cette méfiance ne va pas en s'atténuant. Ce n'est pas simplement que les Anglais n'aiment pas les étrangers ; au contraire, il y a des nations que nous admirons, et cela, en dépit des guerres que nous avons livrées contre elles. Les Français font d'énormes efforts pour s'expliquer. Aucune nation ne s'applique davantage à trouver et à exprimer son identité, aucune ne se regarde dans la glace avec plus d'attention, ne discute de ce qu'elle y voit avec plus de passion, ne persiste à imaginer des rides là où il n'y en a pas, ni ne s'interroge pour savoir si son sourire est perçu comme signe de joie ou de mépris. Leur gouvernement a publié un ouvrage d'une taille et d'une érudition impressionnantes intitulé Français, qui êtes-vous ? Mais la réponse qu'il fournit n'est pas claire. La chasse au «vrai» Français fait délice du tourisme étranger traditionnel, dont le jeu favori consiste à noter à quel point les Français sont typiquement français.

En ce qui me concerne, si j'inclus la France dans mon univers, ce n'est pas seulement parce que j'en admire les sites et les monuments, si merveilleux soient-ils, mais plutôt parce que les Français ont bien voulu partager avec moi leur expérience, qui ont un paysage encore plus merveilleusement varié, de chaleur et de glace, de tendresse et de ridicule, parce qu'ils m'ont offert un commentaire d'une inépuisable richesse sur la sagesse et la folie.

Théodore Zeldin «Les Français»

1. L'auteur de ce texte est

- A. Français.
- B. Anglais.
- C. Américain.
- D. Russe.

2. Les Français se croient

- A. universellement aimés et admirés par des étrangers.
- B. mal aimés et souvent incompris par des étrangers.
- C. détestés par tout le monde.
- D. négligés par tout le monde.

3. La totalité des Anglais

- A. rêveraient d'aller en France pour s'y installer.
- B. ne voudraient pas vivre parmi les Français.
- C. n'aiment pas du tout la France.
- D. ne visitent jamais la France.

4. L'attitude des étrangers, notamment des Anglais envers des Français est

- A. positive.
- B. négative.
- C. plutôt neutre.
- D. franchement agressive.

5. Les Français

- A. ignorent complètement une attitude critique des étrangers envers eux.
- B. essaient de s'orienter dans les causes de l'incompréhension.
- C. ne font rien pour améliorer la situation.
- D. font tout pour aggraver la situation.

6. La méfiance des Anglais envers des Français

- A. s'atténue.
- B. ne s'atténue pas.
- C. augmente.
- D. n'existe plus.

7. L'auteur de ce texte

- A. admire les sites et les monuments merveilleux de la France.
- B. trouve les Français chauvins et arrogants.
- C. apprécie tant les richesses patrimoniales de la France que les Français.
- D. ne s'intéresse pas du tout aux Français.

## II. Remplissez tous les espaces avec les mots proposés

- |     |                   |                         |                        |                      |
|-----|-------------------|-------------------------|------------------------|----------------------|
| 8.  | A. de sorte       | B. de base              | C. de principe         | D. de reste          |
| 9.  | A. possibilité    | B. croyance             | C. attractivité        | D. mobilité          |
| 10. | A. possibilité    | B. croyance             | C. attractivité        | D. mobilité          |
| 11. | A. espace         | B. champ                | C. fût                 | D. zone              |
| 12. | A. valider        | B. surestimer           | C. passer              | D. lancer            |
| 13. | A. offres         | B. crédits              | C. monnaies            | D. espèces           |
| 14. | A. propres        | B. acquises             | C. payés               | D. étudiées          |
| 15. | A. particularités | B. possibilités         | C. détails             | D. épisodes          |
| 16. | A. offre d'emploi | B. offre de formation   | C. principe de base    | D. offre de position |
| 17. | A. transversales  | B. professionnels       | C. éducatifs           | D. acquises          |
| 18. | A. possibilité    | B. professionnalisation | C. attractivité        | D. mobilité          |
| 19. | A. propres        | B. acquises             | C. pluridisciplinaires | D. étudiées          |
| 20. | A. particularités | B. technologies         | C. détails             | D. espaces           |
| 21. | A. offre          | B. rénovation           | C. mobilité            | D. pièce             |

### La mise en place d'un espace européen

L'appel à la construction d'un "espace européen de l'enseignement supérieur", lancé en mai 1998 à la Sorbonne par les quatre ministres en charge de l'enseignement supérieur d'Allemagne, d'Italie, du Royaume-Uni et de France, a connu de profondes répercussions. Avec les conférences de Bologne (1999) et Prague (2001), ce sont désormais 32 pays d'Europe qui sont engagés dans l'entreprise.

L'idée ..(8).....est très simple : pour retrouver l'...(9)..... qui fut celle de l'Europe dans le passé, pour favoriser au sein de l'Europe la ...(10)..... des étudiants et des enseignants, il faut construire un.....(11)..... européen cohérent dans un cadre élaboré en commun qui préserve la richesse et la diversité des systèmes nationaux.

Ce cadre commun comprend les axes suivants :

- adopter une architecture des études supérieures fondée principalement sur trois grands niveaux : licence, mastaire et doctorat ; c'est ce que l'on a parfois appelé le "3-5-8" ;
- organiser les formations et unités d'enseignement ;
- généraliser une "monnaie" commune qui permette de ...(12).....dans chaque pays les études effectuées dans un autre. C'est le système dit des ".....(13)..... européens" ou ECTS : 300 crédits correspondent à la validation d'un cursus complet d'études post-baccalauréat conduisant à l'obtention du mastaire ;
- délivrer à l'étudiant des diplômes suffisamment explicites pour certifier les compétences .....(14).....au cours des études.

Chaque pays est appelé à adapter son système spécifique à ce cadre commun d'action et, ainsi, aboutir à l'émergence de "l'espace européen". La politique européenne ainsi définie conforte en réalité les évolutions décrites précédemment. Elle permet, en particulier, d'avancer vers une "recomposition" progressive d'une offre de formation supérieure actuellement trop éclatée dans des dispositifs diplômants enchevêtrés, et de ce fait peu lisibles, selon le terme consacré.

Il n'est pas possible ici d'entrer dans les....(15)..... Disons seulement que l'architecture-cible proposée (licence-mastaire-doctorat), la modularisation et le système des crédits permettent, outre la mobilité :

- d'organiser l'...(16).....sous la forme de parcours de formation conduisant à des diplômes nationaux aux trois grands niveaux retenus ;
- d'intégrer des approches.....(17)..... , de favoriser la réussite, de développer la ....(18).....et de "penser" dans un même mouvement formation initiale, formation continue et validation des acquis ;
- de faciliter l'apprentissage des compétences .....(19)..... (langues, outils informatiques) ainsi que le développement des.....(20)..... de l'information et de la communication (TIC) et de l'enseignement à distance.

Autrement dit, dans une approche complètement intégrée, la volonté d'ouverture européenne et internationale favorise la .....(21)..... pédagogique au plan national. C'est en tous les cas, le chemin désormais ouvert à l'enseignement supérieur en France qui est, par ailleurs, un des pays qui accueillent une forte proportion d'étudiants étrangers.

### **III. Remplissez les cases vides avec les connecteurs logiques qui vous semblent pertinents.**

Pendant un très long temps, l'idée ne pouvait même venir à l'homme qu'il eût à user de ménagements envers la nature, tant celle-ci lui apparaissait hors de proportion avec les effets qu'il était capable d'exercer sur elle.

\_\_\_\_\_ (22) depuis quelques décennies, la situation se retourne. Par suite de la prolifération effrénée des êtres humains, par suite de l'extension des besoins qu'entraîne cette surpopulation, par suite de l'essor des techniques, l'homme est en passe de devenir pour la géante nature un adversaire qui n'est rien moins que négligeable.

\_\_\_\_\_ (23) l'homme s'avise que, dans son propre intérêt, il lui faut surveiller sa conduite envers la nature et souvent protéger celle-ci contre lui-même.

\_\_\_\_\_ Multiples sont, \_\_\_\_\_ (24), les motifs que nous avons de protéger la nature.

\_\_\_\_\_ (25), en défendant la nature, l'homme défend l'homme : il satisfait à l'instinct de conservation de l'espèce et tente de sauvegarder l'intégrité de son patrimoine héréditaire.



\_\_\_\_\_ (26) il y a le point de vue des biologistes qui, soucieux de la nature pour elle-même, n'admettent pas que tant d'espèces vivantes s'effacent de la faune et de la flore terrestres et que s'appauvrisse le somptueux musée que la planète offrait à nos curiosités.

\_\_\_\_\_ (27) il y a les artistes, les poètes et donc un peu tout le monde, qui ne se résoudre jamais à voir les printemps silencieux, et, en ce sens, on peut faire preuve d'optimisme : tant que les cœurs déçus chercheront l'asile vert de la nature, on peut compter sur les hommes pour en préserver les rives.

Je voudrais \_\_\_\_\_ (28) souligner à quel point la défense de la nature est chose malaisée quand on se heurte à l'indifférence ou au scepticisme, quand surtout on a contre soi tous ceux qui donnent aux convoitises personnelles le pas sur l'intérêt commun.

C'est \_\_\_\_\_ (29) une tâche d'importance à laquelle notre fin de siècle nous convie, l'enjeu le plus grave et le plus urgent si l'on veut mériter le nom d'homme.

D'après Jean Rostand

- |                     |            |              |             |
|---------------------|------------|--------------|-------------|
| 22. A. mais         | B. ainsi   | C. désormais | D. en effet |
| 23. A. mais         | B. ainsi   | C. désormais | D. en effet |
| 24. A. mais         | B. ainsi   | C. désormais | D. en effet |
| 25. A. premièrement | B. ensuite | C. enfin     | D. ainsi    |
| 26. A. premièrement | B. ensuite | C. enfin     | D. ainsi    |
| 27. A. premièrement | B. ensuite | C. enfin     | D. ainsi    |
| 28. A. ainsi        | B. ensuite | C. désormais | D. pourtant |
| 29. A. ainsi        | B. ensuite | C. désormais | D. pourtant |

#### IV. Choisissez la bonne réponse:

30. Il avait \_\_\_\_\_ sang sur la chemise.

- |       |        |
|-------|--------|
| A. Le | C. Du  |
| B. De | D. D'u |

31. \_\_\_\_\_ modestie est \_\_\_\_\_ qualité précieuse.

- |           |             |
|-----------|-------------|
| A. La, la | C. La, une  |
| B. Le, le | D. Une, une |

32. Elle parlait de son fils avec \_\_\_\_\_ grande modestie.

- |        |          |
|--------|----------|
| A. Une | C. De la |
| B. La  | D. Un    |

33. Il y avait \_\_\_\_\_ tache de sang sur sa manche.

- |          |          |
|----------|----------|
| A. La    | C. D'une |
| B. De la | D. Une   |

34. Il prit deux verres et y versa \_\_\_\_\_ vin.

- |          |         |
|----------|---------|
| A. De la | C. De   |
| B. Du    | D. D'un |

35. \_\_\_\_\_ vin rouge est servi avec \_\_\_\_\_ viande et \_\_\_\_\_ fromage ; avec \_\_\_\_\_ poisson on sert \_\_\_\_\_ vin blanc.

- A. le, la, le, le, le  
B. le, de , de, le, de  
C. le, de la, du, le, du  
D. du, d'une, d'un, le, d'un

36. Un cycliste passa dans la rue sans faire \_\_\_\_\_ bruit.  
A. De  
B. Du  
C. D'un  
D. le

37. Un camion passa dans la rue avec \_\_\_\_\_ bruit assourdissant.  
A. Du  
B. Le  
C. Un  
D. D'un

38. Il nous faudra faire bien de \_\_\_\_\_ efforts pour atteindre ce but.  
A. De  
B. D'  
C. Des  
D. De les

39. A Paris, Nicolas faisait \_\_\_\_\_ théâtre.  
A. Du  
B. De  
C. Le  
D. Un

40. Je n'ai pas \_\_\_\_\_ temps de tout faire.  
A. De  
B. Un  
C. Du  
D. Le

**V. Lisez le document et complétez-le avec les propositions qui correspondent (50 - 54).**

Travailler plus pour gagner plus. (41)\_\_\_\_. elle a 27 ans et neuf d'ancienneté dans un des sites d'un groupe agroalimentaire. Elle pourrait pourtant être séduite par le développement des heures supplémentaires.(42)\_\_\_\_. Le seul oubli des politiques, ce sont les conditions de travail. Moi, je suis à la chaîne dans un abattoir au service de découpe, souvent dans des frigos. (43)\_\_\_\_. On est déjà à trente neuf heures de travail par semaine, compensées par 10 jours de RTT. (44)\_\_\_\_\_même si c'est pour gagner 20 ou même 40 euros de plus par mois, je ne suis pas d'accord! Je préfère garder du temps libre pour me reposer. (45)\_\_\_\_\_ Beaucoup de gens ne se rendent pas compte du travail qu'on fait. C'est très dur.

41. Choisissez la proposition qui convient.

- A. Ce slogan fait sourire Laetitia  
B. Cette devise est celle de tous  
C. Cette proposition ne plait pas du tout  
D. C'est ce que Laetitia a accepté de faire

43. Choisissez la proposition qui convient.

- A. Car elle n'a jamais de problème de fins de mois.  
B. Finalement, elle veut prendre une année sabbatique.  
C. En effet, son salaire atteint tout juste 1000 euros par mois.

D. Son souhait? Travailler à temps partiel.

42. Choisissez la proposition qui convient.

- A. Je suis complètement isolée.
- B. La chaleur est insupportable.
- C. J'ai beaucoup de libertés.
- D. Il y fait très froid.

43. Choisissez la proposition qui convient.

- E. Cependant je n'ai pas beaucoup de temps à moi.
- F. En effet, je ne travaille pas beaucoup.
- G. Alors, échanger ces heures contre de l'argent
- H. C'est pourquoi, vu l'insuffisance de mon salaire

44. Choisissez la proposition qui convient

- A. En effet, je ne tiendrai pas le coup
- B. Sinon je paierai physiquement
- C. D'ailleurs, je ne suis jamais au repos
- D. En effet, je ne prendrai pas mes congés

## VI. Choisissez la variante qui vous semble correcte:

45. Une phrase \_\_\_\_\_ est \_\_\_\_\_ comporter un sujet, un verbe et un complément.

- A. sensée \ sensé
- B. sensée \ censée
- C. censée \ censée
- D. sensé \ censé

46. La directrice s'est \_\_\_\_\_ de \_\_\_\_\_ son interlocuteur.

- A. permis \ tutoyé
- B. permise \ tutoyer
- C. permis \ tutoyer
- D. permise \ tutoyée

47. Nous ne commercialisons que des polos \_\_\_\_\_.

- A. rouges vifs
- B. rouge vif
- C. rouges vif
- D. rouge vifs

48. La facture est payable en deux fois: un \_\_\_\_\_ de 40% à la signature et \_\_\_\_\_ à la livraison.

- A. acompte \ le solde
- B. acompte \ la suite
- C. aconté \ la solde
- D. précompte \ le complément

## VII. Qui suis-je?

**À part des symboles politiques, il en existe beaucoup d'autres pour reconnaître la France. Les connaissez-vous?**

49. Les sportifs français m'ont adopté comme mascotte. Je suis un animal qui réveille tout le monde en chantant "cocorico". Mon nom vient d'un jeu de mots en latin car le mot "gallus" avait deux sens.

- A. Le coq gaulois
- B. Le coq français
- C. La dinde de France
- D. Le canard gaulois

50. Je suis le symbole des rois de France. Mon nom est celui d'une fleur. On me trouve aussi sur le drapeau québécois.

- A. L'oeillet
- B. Le lys
- C. La tulipe
- D. La rose

51. L'ingénieur français m'a construite pour l'exposition universelle de 1889?

- A. La tour Monparnasse
- B. La Sainte-Chapelle
- C. La Tour Eiffel
- D. La gare d'Orsay

52. Je suis devenue un symbole de la France parce que j'étais une voiture très populaire. Mon nom se prononce comme un chiffre suivi du nom d'un animal au pluriel.

- A. Un deux chevaux
- B. Un quatre chevaux
- C. Un deux chameaux
- D. Un deux vaches

53. Je suis une forme géométrique. Je suis devenu un symbole de la France parce que je lui ressemble.

- A. Un cercle
- B. Un hexagone
- C. Un rectangle
- D. Une hémisphère

54. Je suis un personnage de bandes dessinées. Mon meilleur ami s'appelle Obélix. Nous sommes deux Gaulois très forts et très courageux. Nous n'avons peur que d'une seule chose: que le ciel nous tombe sur la tête.

- A. Astérix
- B. Obélix
- C. César
- D. Cedric

### VIII. Testez vos connaissances de civilisation française.

55. Quelle ville du Vaucluse est considérée comme la capitale du melon ?

- A. Apt
- B. Carpentras
- C. Cavaillon
- D. Avignon

56. Avec lequel de ces trois pays la frontière de la France est-elle la plus courte ?

- A. L'Espagne
- B. L'Italie
- C. Le Luxembourg
- D. La Suisse

57. C'est dans cette cathédrale qu'ont été sacrés la plupart des rois de France.

- A. Notre-Dame d'Amiens
- B. Notre-Dame de Paris
- C. Notre Dame de Reims
- D. Notre-dame de la Garde

58. Quelle est le plus long fleuve s'écoulant entièrement sur le territoire français?

- A. La Loire
- B. Le Rhin
- C. La Garonne
- D. La Seine

59. La France métropolitaine partage ses frontières terrestres avec \_\_\_\_\_ pays.

- A. 5
- B. 8
- C. 10
- D. 2

60. Le bâtiment le plus haut de Paris c'est

- A. la tour Eiffel
- B. la tour Montparnasse.
- C. Notre-Dame de Paris
- D. Hôtel des Invalides

61. Ce village a été annexé à Paris en 1860. Avec ses cabarets, ses rues sinueuses et ses maisons basses immortalisés par les peintres Toulouse-Lautrec ou Utrillo, la « butte » est l'un des phares de la capitale. Autrefois, elle comptait une trentaine de moulins, utilisés pour moulinier le blé et les fleurs ou pour presser le raisin. Certains se sont transformés en salles de bal où étaient servies des galettes de seigle chaudes. Les escaliers font partie du décor du quartier juché sur une colline au Nord de Paris, sur le site légendaire du martyr de Saint-Denis.

- A. Montmartre
- B. Ménilmontant
- C. Les Gobelins
- D. Saint-Denis

62. Phare de la capitale française, ce monument, destiné à être éphémère, a été élevé sur le Champ de Mars pour l'Exposition universelle de 1889 dont il est la vedette.

- A. La tour Montparnasse
- B. La tour Eiffel
- C. La tour Clovis
- D. L'Arche de la Défense

63. Communément appelé « centre Beaubourg », cet endroit abrite, derrière des canalisations, gaines électriques et tuyauteries colorées, le musée national d'art moderne sur ses deux derniers étages et, sur d'autres niveaux, des salles de création, de débat, de recherches, de lecture et de cinéma. Longtemps critiqué pour son architecture provocante, ce lieu, inauguré en 1977, accueille aujourd'hui près de 25 000 visiteurs par jour.

- A. Le palais omnisports Paris-Bercy
- B. Le parc de la Villette
- C. Le centre Georges Pompidou
- D. Le Palais des Congrès

64. Forteresse puis palais des rois de France, ce lieu est une véritable ville dans la ville et abrite, depuis la fin du XVIII<sup>ème</sup> siècle, l'un des plus riches musées du monde. Les 160 000 m<sup>2</sup> de salles et de galeries permettent d'exposer 35 000 œuvres en permanence.

- A. Le musée du Louvre
- B. Le musée du quai Branly
- C. Le musée Carnavalet
- D. Le musée d'Orsay

65. Commandé par l'empereur Napoléon 1er en 1806 pour glorifier la Grande Armée, ce monument a été achevé au bout de 30 ans. Haut de 55 mètres et large de 45 mètres, il abrite depuis 1920 la tombe du soldat inconnu de la première guerre mondiale et une flamme qui ne s'éteint jamais.

- A. Le Sacré Coeur
- B. Le Grand Palais
- C. L'Arc de Triomphe
- D. Hôtel des Invalides

66. Comment se nommait Paris lors de la période romaine ?

- A. Lugdunum
- B. Massilia
- C. Lutèce
- D. Parisis

67. Quel roi des Francs a fait de Paris la capitale de son royaume ?

- A. Clovis
- B. Charles Martel
- C. César
- D. Charlemagne

68. Quel est le pont le plus ancien de Paris ?

- A. Le Pont Alexandre III
- B. Le Pont Neuf
- C. Le pont de Bir-Hakeim
- D. Le pont d'Iéna

69. Comment surnomme-t-on Toulouse, chef-lieu de la région Midi-Pyrénées ?

- A. La ville rose
- B. La ville qui ne dort jamais
- C. Elle n'a aucun surnom
- D. La ville beige

70. Combien de climats différents trouve-t-on en France ?

- A. 1 (méditerranéen)
- B. 2 (continental, méditerranéen)
- C. 3 (continental, méditerranéen, océanique)
- D. 4 (continental, méditerranéen, océanique, montagnard)

71. Qui était surnommée la Pucelle d'Orléans ?

- A. Jeanne d'Arc
- B. Catherine de Médicis
- C. Anne de Bretagne car née à Orléans
- D. Coco Chanel

72. Quand et à quelle occasion, la tour Eiffel, célèbre monument de Paris, a-t-elle été érigée ?

- A. L'exposition universelle de Paris de 1889
- B. Le 100e anniversaire de la Révolution française
- C. C'est Napoléon III qui en a demandé l'édification à sa gloire
- D. Le centenaire de Paris

### **IX. Lisez le document. Associez les lettres aux chiffres (74-90).**

Les producteurs de Camembert.

La famille Warouquier se lève chaque matin avec cette tâche à assumer: maintenir la tradition du camembert. Elle est une des dernières à ciseler ce joyau dans le lait cru, (74)\_\_\_\_\_les techniques uniformisatrices de l'industrie. Le camembert, c'est à peine 350 grammes d'une pâte onctueuse et odorante. Mais ce petit miracle, caviar des fins de repas, (75)\_\_\_\_\_les riches étrangers et (76)\_\_\_\_\_le souvenir des Français en (77)\_\_\_\_\_. Succès d'autant plus impressionnant que le camembert n'était seul à tenter de séduire les amateurs. Dans son souci d'exalter les particularités, la France ne lui a-t-elle pas (78)\_\_\_\_\_au moins 365 concurrents? Le camembert, lui, est peut-être le plus beau, en tout cas le plus (79)\_\_\_\_\_fils de Normandie. Ou plus exactement du Pays d'Auge. C'est là, dans ce petit (80)\_\_\_\_\_de vallons et de champs à l'herbe (81)\_\_\_\_\_que l'aventure a commencé. Fuyant (82)\_\_\_\_\_de la Révolution, un prêtre venu de Brie (83)\_\_\_\_\_chez une brave fermière normande. En échange du gîte, il lui recommanda d'(84)\_\_\_\_\_ses fromages selon les méthodes qui avaient fait merveille pour le "brie", le fromage de chez lui. Magique, le résultat fût bientôt célébré dans toute la France. En 1890, le précieux fromage put se lancer (85)\_\_\_\_\_du

monde grâce à l'invention d'une boîte (86)\_\_\_\_\_lui permettant de mieux voyager. Cet (87)\_\_\_\_\_majeur, comme l'invention elle-même, se déroula sous les (88)\_\_\_\_\_de Camembert. Fier de ses (89)\_\_\_\_\_, le précieux fromage se fit (90)\_\_\_\_\_ sous le nom de son village.

- |                      |                    |                   |                  |
|----------------------|--------------------|-------------------|------------------|
| 73. A. reprenant     | B. rejetant        | C. en partant     | D. en gardant    |
| 74. A. met en emoi   | B. partage         | C. mette en emoi  | D. refuse        |
| 75. A. subit         | B. taraude         | C. respecte       | D. facilite      |
| 76. A. espace        | B. exil            | C. étranger       | D. France        |
| 77. A. respiré       | B. surestimé       | C. inventé        | D. inauguré      |
| 73. A. intéressant   | B. étudiées        | C. fameux         | D. propice       |
| 74. A. terroir       | B. zone            | C. place          | D. territoire    |
| 75. A. grasse        | B. sec             | C. sèche          | D. riche         |
| 76. A. Les offres    | B. Les coffres     | C. les affres     | D. les résultats |
| 77. A. se réfugia    | B. Se chercha      | C. se reposa      | D. fit           |
| 78. A. affiner       | B. couper          | C. lancer         | D. nettoyer      |
| 79. A. à la conquête | B. à la révolution | C. à la recherche | D. à la prise    |
| 80. A. en papier     | B. en bois         | C. en détails     | D. en espèces    |
| 81. A. événement     | B. épisode         | C. cas            | D. situation     |
| 82. A. portes        | B. cieux           | C. seuil          | D. regard        |
| 83. A. origines      | B. fils            | C. produits       | D. fromages      |
| 84. A. apprendre     | B. apparaître      | C connaître       | D. régner        |